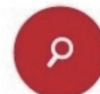




GROUP INDIA
A MANUFACTURER



+91-9897530013
+91-9897816444



www.apgroup.co.in
www.apmetals.co.in



Aligarh, 202001 (U.P) India

AN ISO 9001:2008 CERTIFIED Co.



AN ISO CERTIFIED Co.

BRIEF INTRODUCTION

GROUP INDIA
A MANUFACTURER

AP Group was established in the **2002** with the dream to give best quality of hardware's accessories.

Hardware is used for installations, repairs, or maintenance tasks in industrial and commercial facilities. Braces and brackets reinforce and support shelves, railings, panels, furniture, and other equipment and surfaces. Door closers, hinges, handles, knobs, and other door hardware allow doors to open and close so people can pass through an entryway. Locksets allow doors to lock in order to restrict access to an area. Door sweeps and weather strips keep out drafts. Window hardware improve comfort and security by keeping out weather, pests, and intruders. Hooks and magnetic strips keep work areas organized.

We ensure the topmost quality of their product, the company always abides by international standard and specification with ISO certification 9001:2015 the commitment of AP Group toward quality, diligence, technical expertise, customer orientation and time in every service they provide and the products the manufacture.

We deals with various products such as key lock, Panel Lock, 3 Point Lock, Handle & Knob, Keys, Hinges, Gasket, Canopy Locks, Panel Box, and Other Accessories etc.

Our products are of the best quality. You'll find reasons to buy hardware, once you try us. We'll take care of your hardware.



AN ISO CERTIFIED Co.

GROUP INDIA
A MANUFACTURER





AN ISO CERTIFIED Co.

ISO CERTIFICATION

GROUP INDIA
A MANUFACTURER



Certificate of Registration

This is to certify that the Quality Management System of

A.P. METALS

Opp. Singhal D. Kanta, Agra Road, Aligarh - 202001 (U.P.) India

Has been successfully assessed & Conforms with
the following standard

ISO 9001:2015

Scope of Certification

“Manufacture & Export of Control Panel Accessories, Generators Canopy Locks & Hinges and Accessories,
Industrial Hardware (Zinc, Aluminum, Iron & Plastic Components), Connectors & Clamps
(Copper, Brass), and various types of Locking and Latching Systems”

Certificate No. QMS/DAS22/A1547

Initial Registration Date : 20-06-2022
Issue Date : 20-06-2022
Surveillance 1 Audit Date : 20-05-2023
Surveillance 2 Audit Date : 20-05-2024
*Expiry Date : 19-06-2023
Validity Date : 19-06-2025

*Subject to successful completion of Surveillance Audits



(Managing Director)

DAS SYSTEM & SERVICES PVT. LTD.

For current validity of the Certificate, visit on www.dascertifications.com
In the search box enter first 4 letters of organization name plus last 6 letters of certificate no.



CONTENTS

GROUP INDIA
A MANUFACTURER

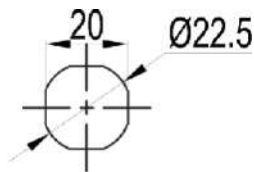
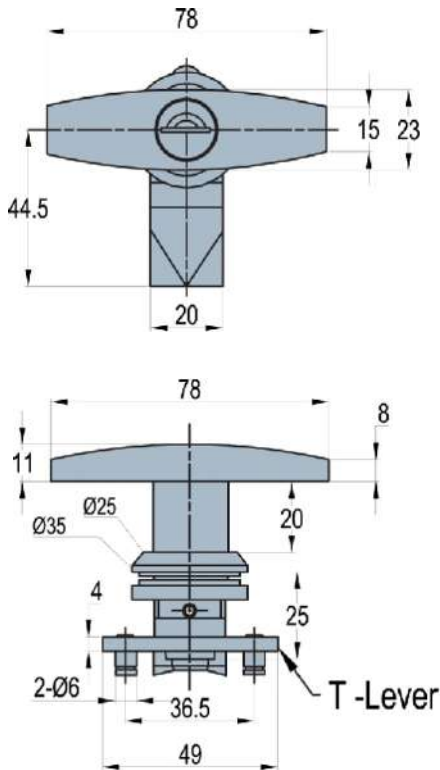
➤ Key Lock.....		KL01-KL04
➤ Panel Lock.....		L01-L13
➤ 3 Point Lock		SH01-SH10
➤ Handle & Knob...		KH01-KH-04
➤ Key.....		K01-K04
➤ Hinge.....		H01-H23
➤ Gasket.....		GK01
➤ Canopy Lock.....		CN01-CN15
➤ Castel Lock.....		C01-C03
➤ Other Accessories		OA01-OA05
➤ Panel Box.....		PB01-PB03
➤ Terminals & Links		TL01-06



Key Locks

GROUP INDIA
A MANUFACTURER

APKL-01

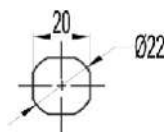
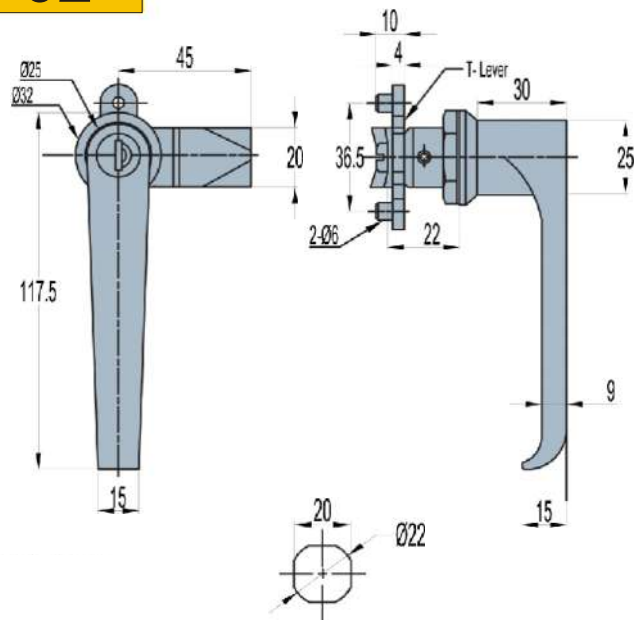


CUT OUT



Material	Zinc Die Casting, Steel Cam Steel Key
Finish	Chrome Plating / Black Powder Coated

APKL-02



CUT OUT

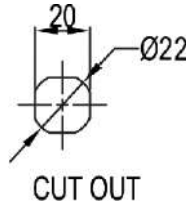
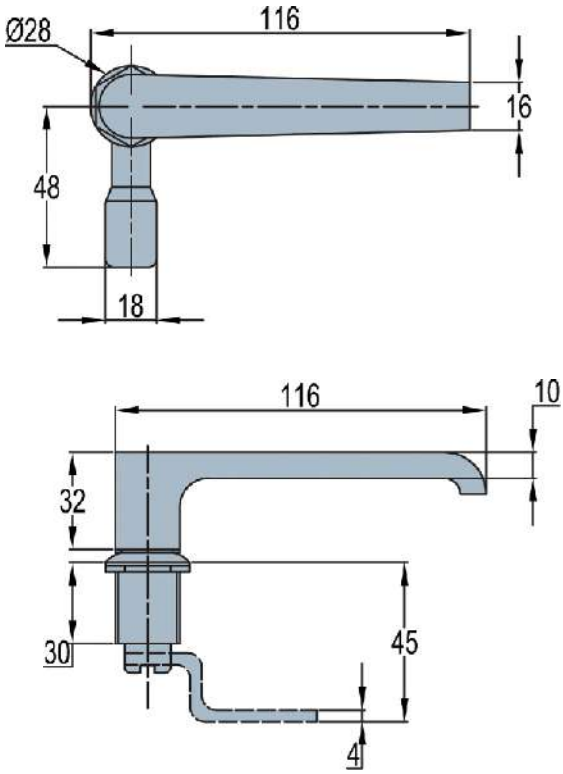
Material	Zinc Die Casting, Steel Cam Plastic Moulded Key
Finish	Chrome Plating / Black Powder Coated



Key Locks

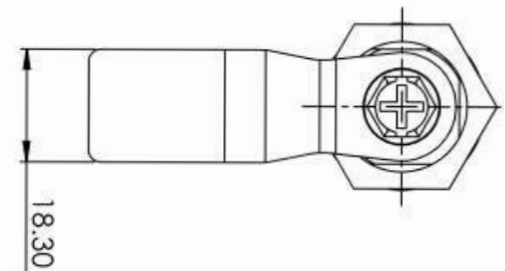
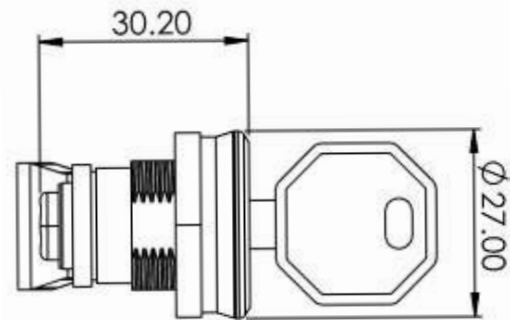
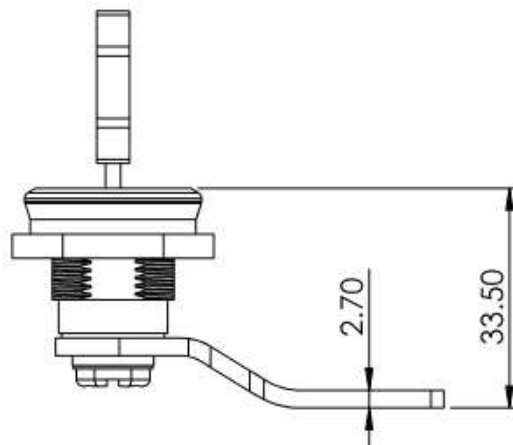
GROUP INDIA
A MANUFACTURER

APKL-03



Material	Zinc Die Casting, Steel Cam Blue Plating
Finish	Black Powder Coated - Handle

APKL-04



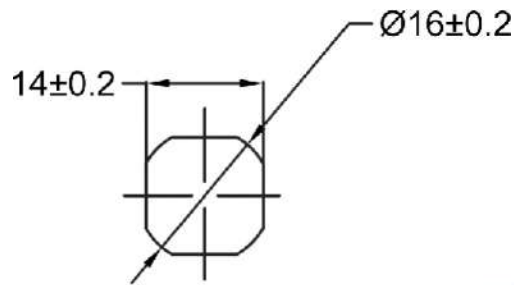
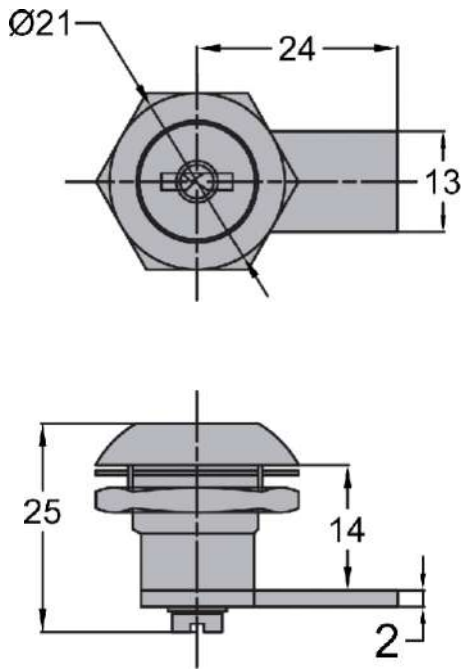
Material	Zinc Die Casting, Steel Cam Steel Key
Finish	Chrome Plating



Key Locks

GROUP INDIA
A MANUFACTURER

APKL-05



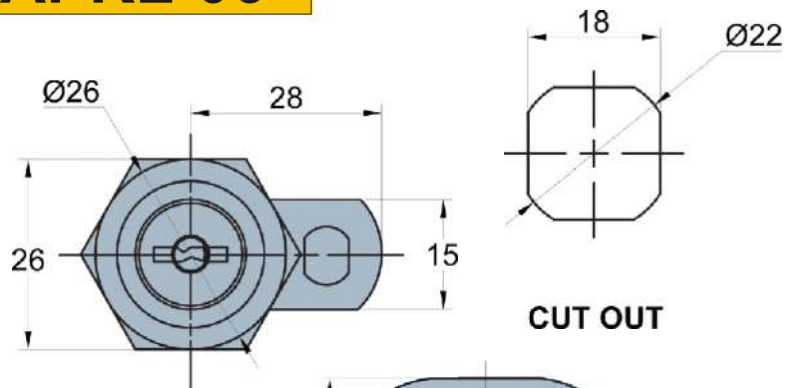
CUT OUT



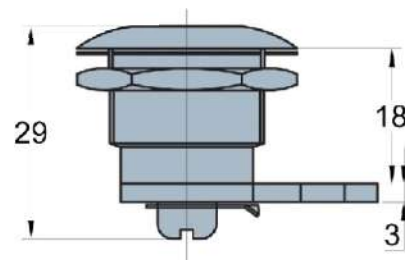
Material	Zinc Die Casting, Steel Cam Steel Key
Finish	Chrome Plating



APKL-06



CUT OUT



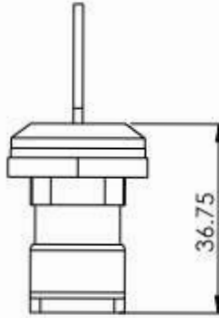
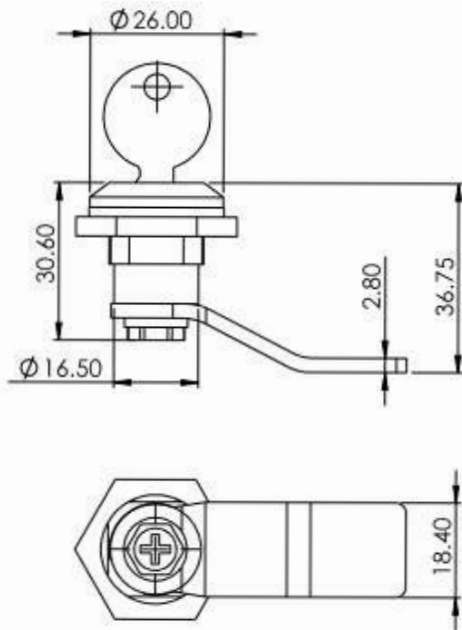
Material	Zinc Die Casting, Steel Cam Plastic Moulded Key
Finish	Chrome Plating



Key Locks

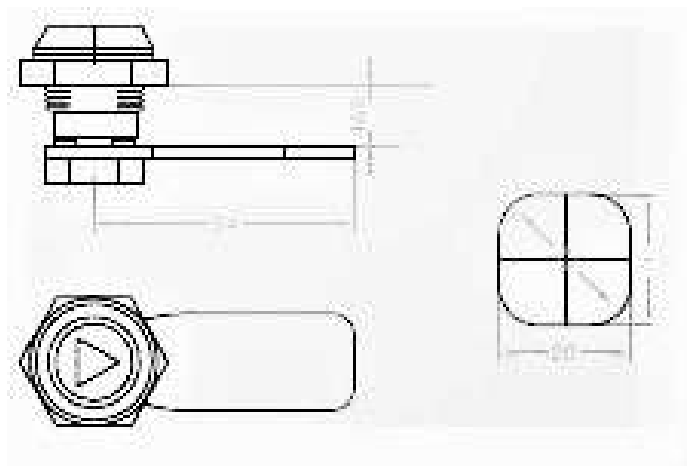
GROUP INDIA
A MANUFACTURER

APKL-07



Material	Zinc Die Casting, Steel Cam Steel Key
Finish	Chrome Plating

APKL-08



Material	Steel
Finish	BLACK POWDER COATED

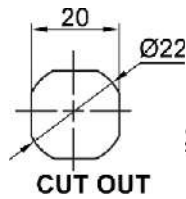
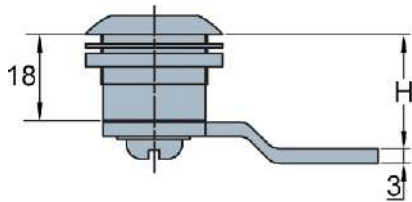
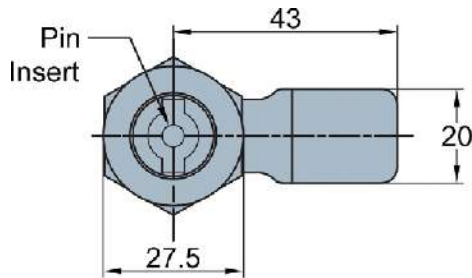


Panel Locks

GROUP INDIA
A MANUFACTURER

APL-01

INSERT TYPE



H
20
25
30
35
40
45
50

Material Zinc Die Casting Body,
Steel-Cam.

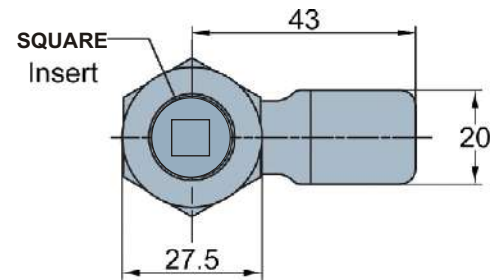
Finish Chrome Plating

Available in Steel also

IP-66- also available

APL-02

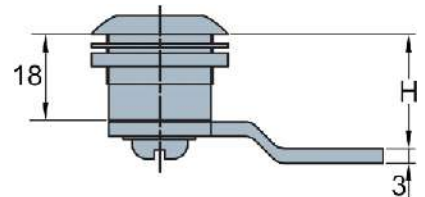
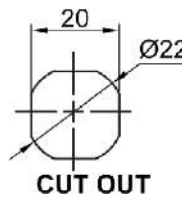
INSERT TYPE



Material Zinc Die Casting Body,
Steel-Cam.

Finish Chrome Plating

H
20
25
30
35
40
45
50



Available in Steel also

IP-66- also available

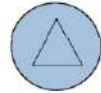


Panel Locks

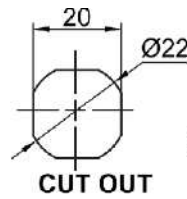
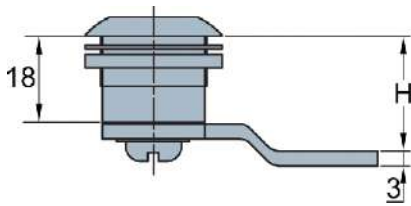
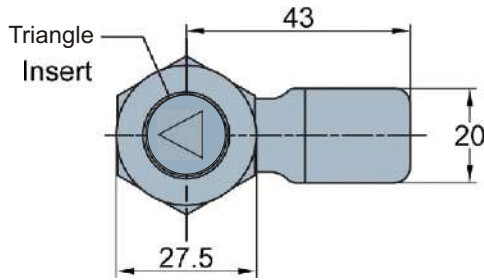
GROUP INDIA
A MANUFACTURER

APL-03

INSERT TYPE



TRIANGLE



H
20
25
30
35
40
45
50

Available in Steel also



Material Zinc Die Casting Body,
Steel-Cam.

Finish Chrome Plating

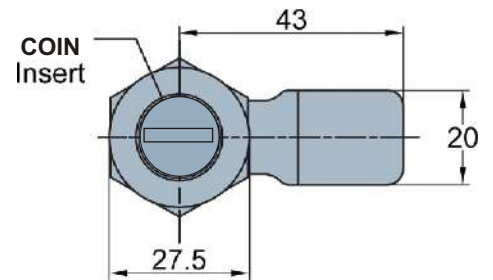
IP-66- also available

APL-04

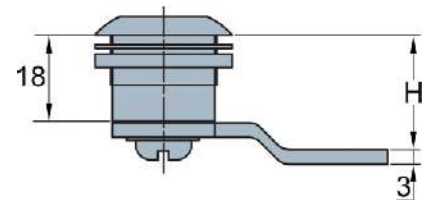
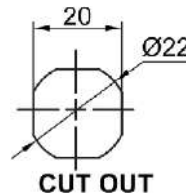
INSERT TYPE



COIN



H
20
25
30
35
40
45
50



Material Zinc Die Casting Body,
Steel-Cam.

Finish Chrome Plating

Available in Steel also

IP-66- also available

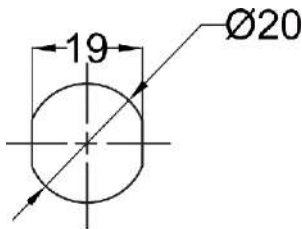
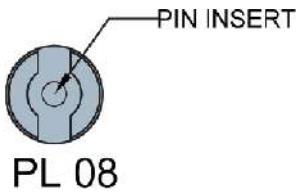
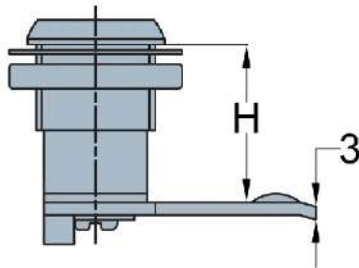
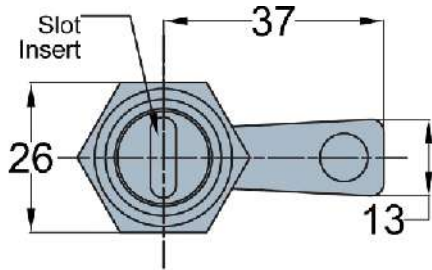




Panel Locks

GROUP INDIA
A MANUFACTURER

APL-05



CUT OUT

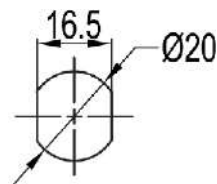
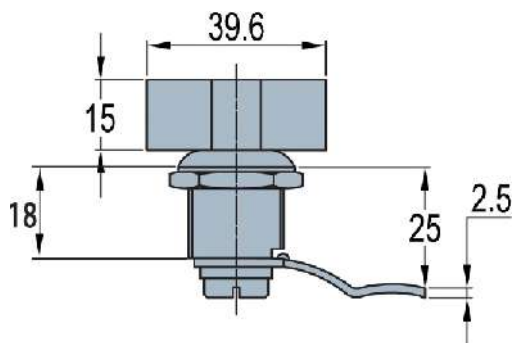
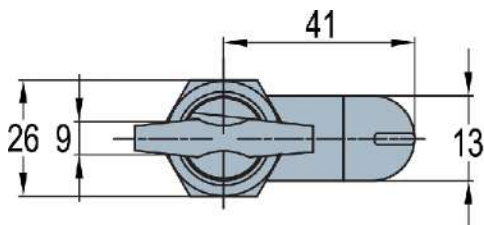
H
20
25
30
35
40
45
50



Material Zinc Die Casting - Body, Steel - Cam.

Finish Chrome Plating

APL-06



CUT OUT



Material Zinc Die Casting- Body , Steel Cam.

Finish Black Powder Coated-Knob,
Housing-Chrome

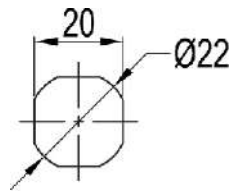
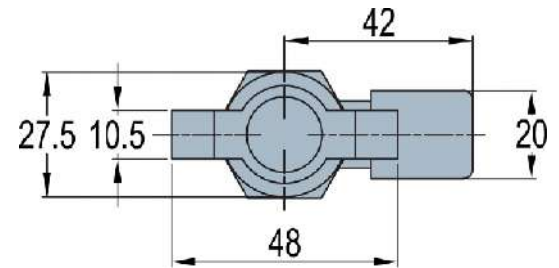


Panel Locks

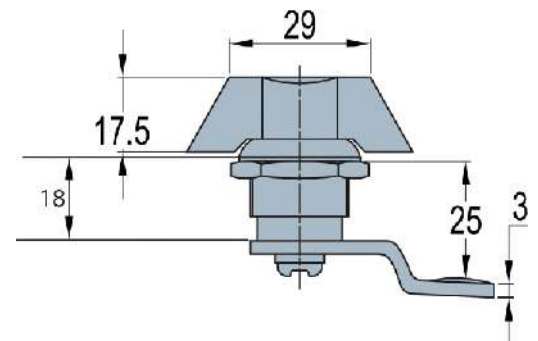
GROUP INDIA
A MANUFACTURER



APL-07



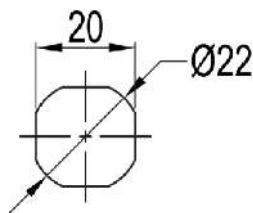
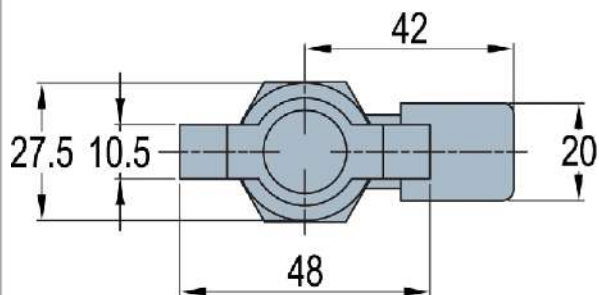
CUT OUT



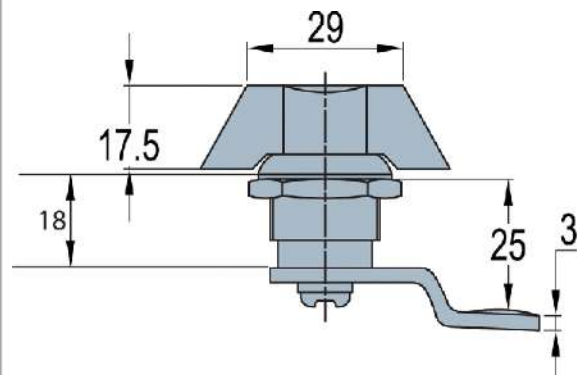
Material Zinc Die Casting - Body, Steel - Cam.

Finish Chrome Plating/Black Powder Coating

APL-08



CUT OUT



Material Zinc Die Casting Body, Polyamide-Knob, Steel-Cam.

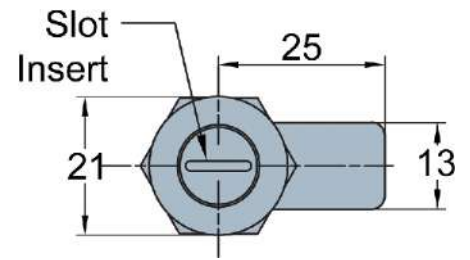
Finish Polyamide-Knob, Chrome Plating-Housing



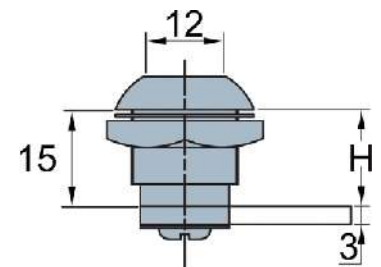
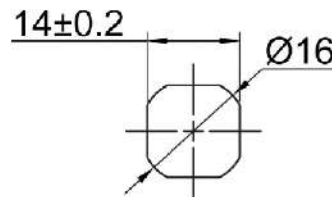
Panel Locks

GROUP INDIA
A MANUFACTURER

APL-09



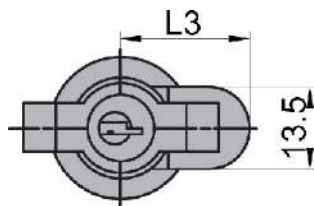
H
20
25
30
35
40
45
50



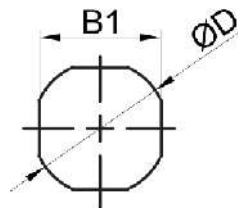
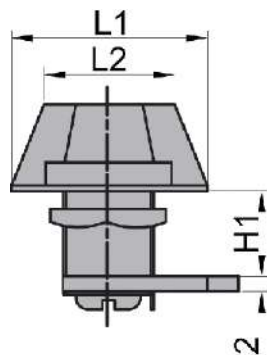
CUT OUT

Material Zinc Die Casting - Body, Steel - Cam.

Finish Chrome Plating



APL-10



CUT OUT



Material Zinc Die Casting-Body, Steel Cam, Steel with Plastic Moulded- Key.

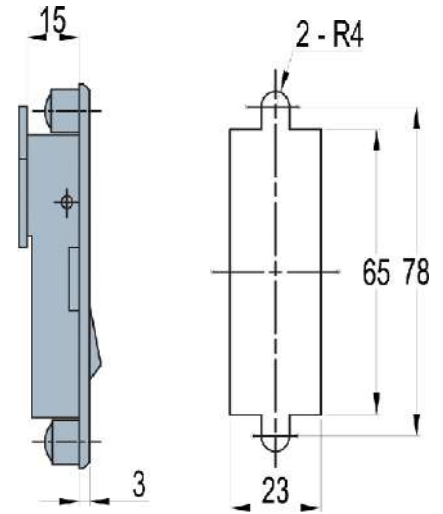
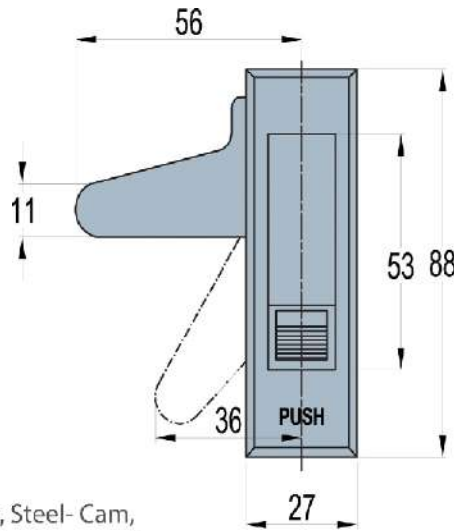
Finish Black Powder Coated



Panel Locks

GROUP INDIA
A MANUFACTURER

APL-11

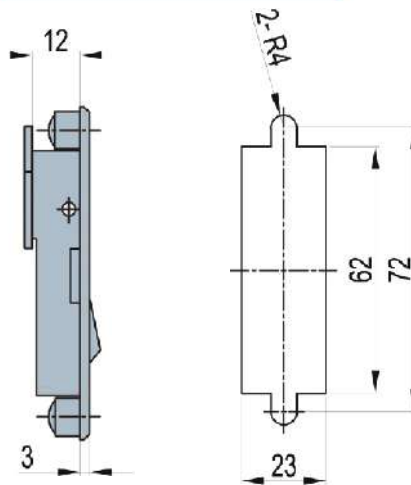
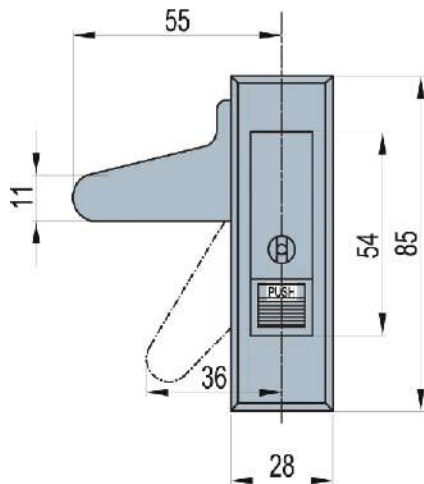


Material Zinc Die Casting - Body, Steel- Cam, Red Button Plastic.

Finish Chrome Plating with Grey Spray Paint

CUT OUT

APL-12



Material Zinc Die Casting Body, Steel-Cam, Steel-Key

Finish Grey Sprey Painting

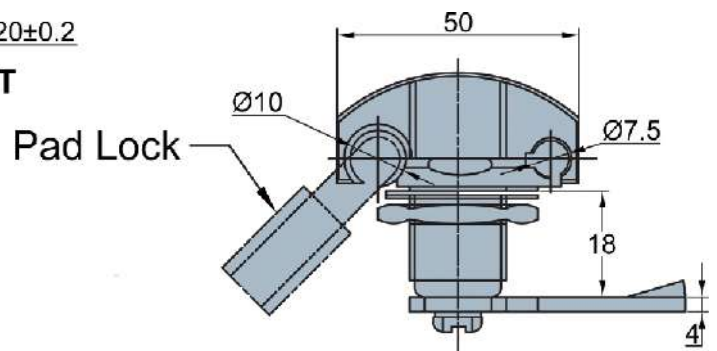
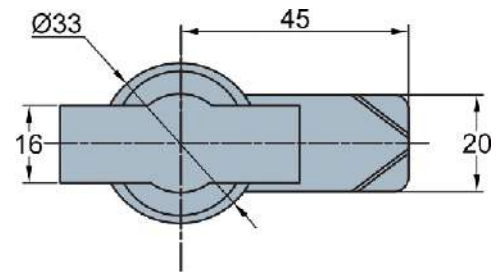
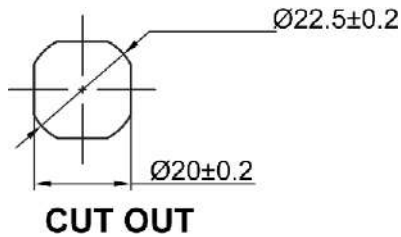
CUT OUT



Panel Locks

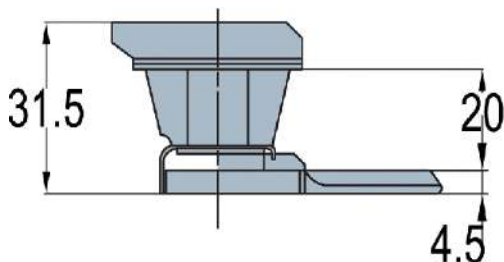
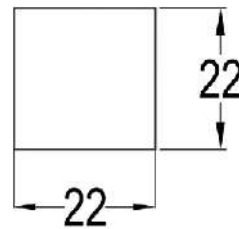
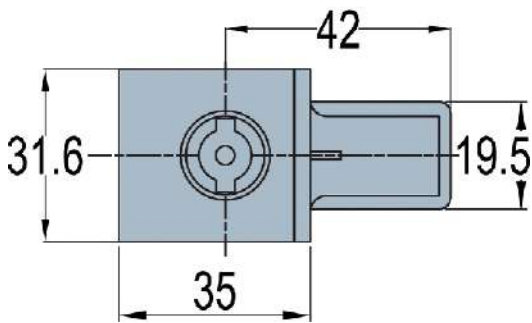
GROUP INDIA
A MANUFACTURER

APL-13



Material Zinc Die Casting Housing Body, MS-Zinc Plating Cam.
Bright Chrome / Black Powder Coated finish

APL-14



Material ABS-Body,
Insert- Zinc Die Casting



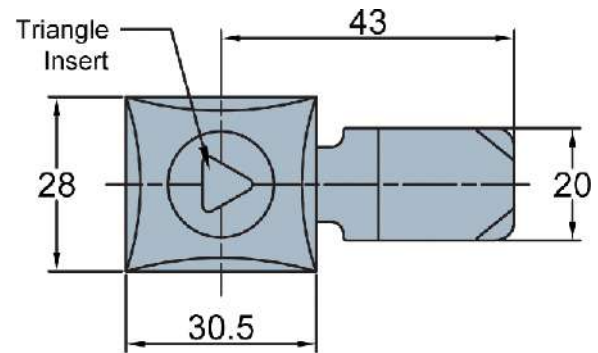
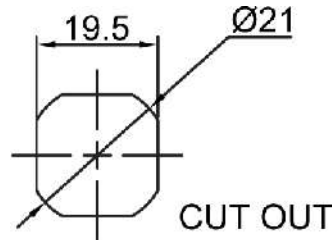
Panel Locks

GROUP INDIA
A MANUFACTURER



APL-15

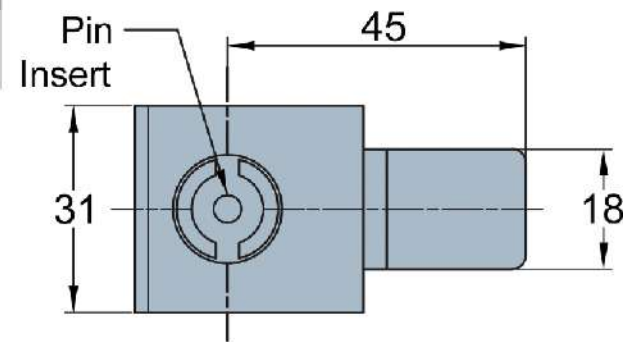
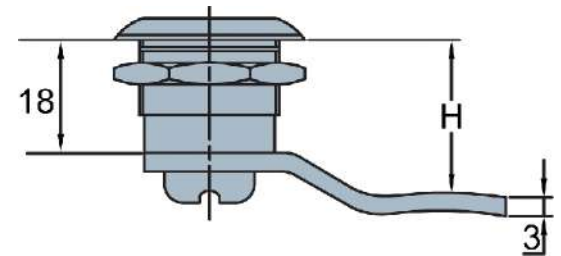
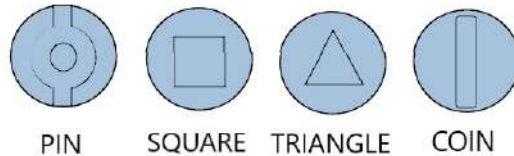
H
20
25
30
35



Material Zinc Die Casting-Body, Steel-Cam

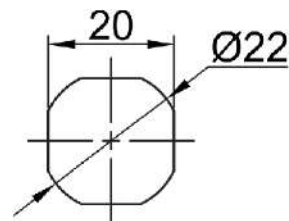
Finish Chrome Plating

INSERT AVAILABLE

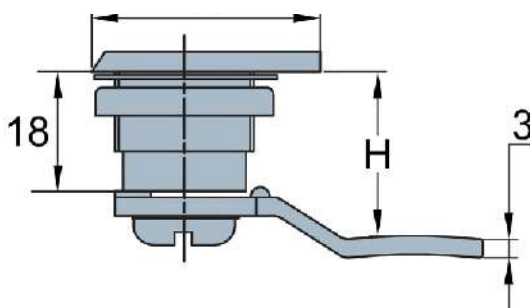


APL-16

H
20
25
30
35
40
45
50



CUT OUT



Material Zinc Die Casting- Body , Steel Cam.

Finish Chrome Plating



Panel Locks

GROUP INDIA
A MANUFACTURER

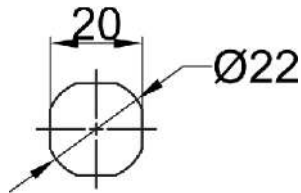
APL-17



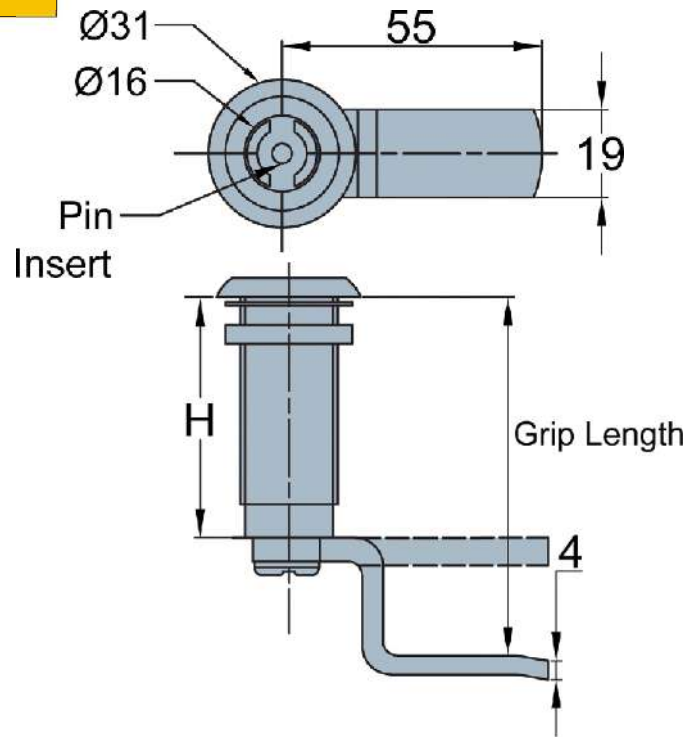
Material Zinc Die Casting Body, Steel-Cam.

Finish Chrome Plating

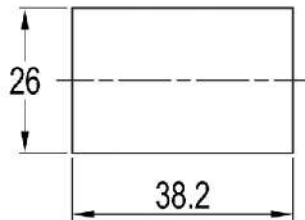
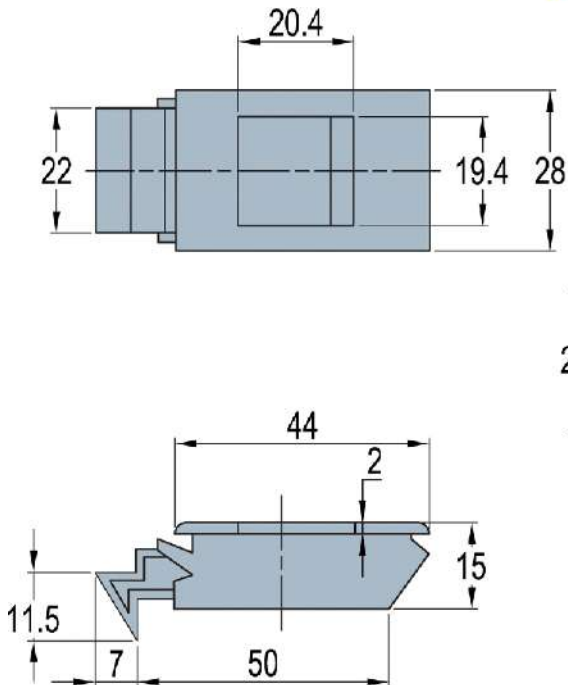
H
30
40
50



CUT OUT



APL-18



CUT OUT



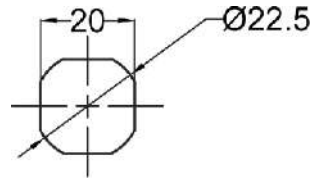
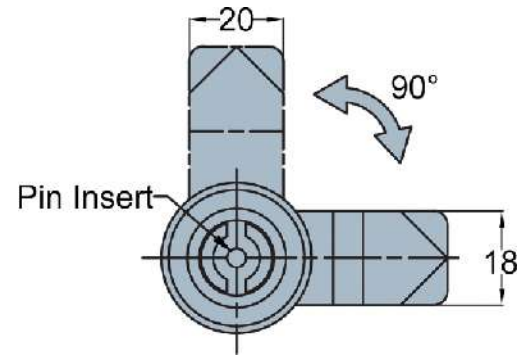
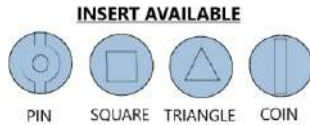
Material Nylon GF - 30



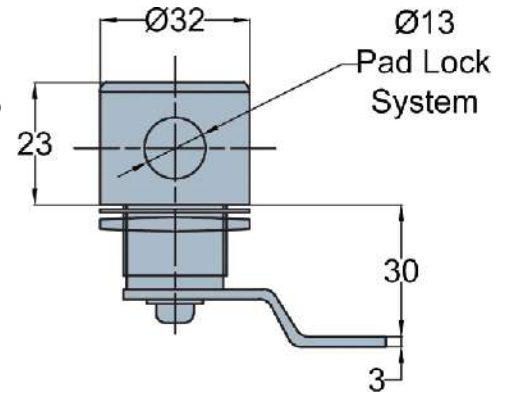
Panel Locks

GROUP INDIA
A MANUFACTURER

APL-19

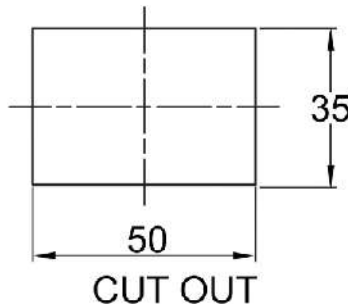
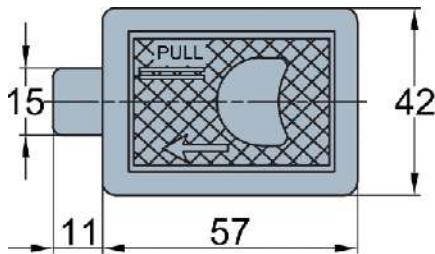
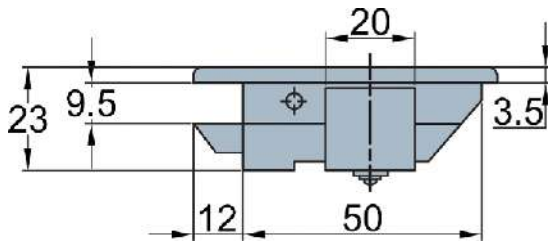


CUT OUT



Material Zinc Die Casting Housing Body,MS-Zinc Plating Cam.
Bright Chrome / Black Powder Coated finish

APL-20



Material Zinc Die Casting-Body.

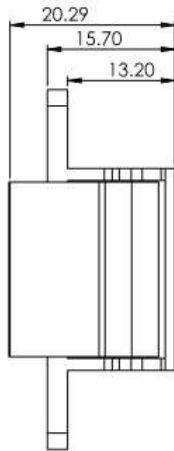
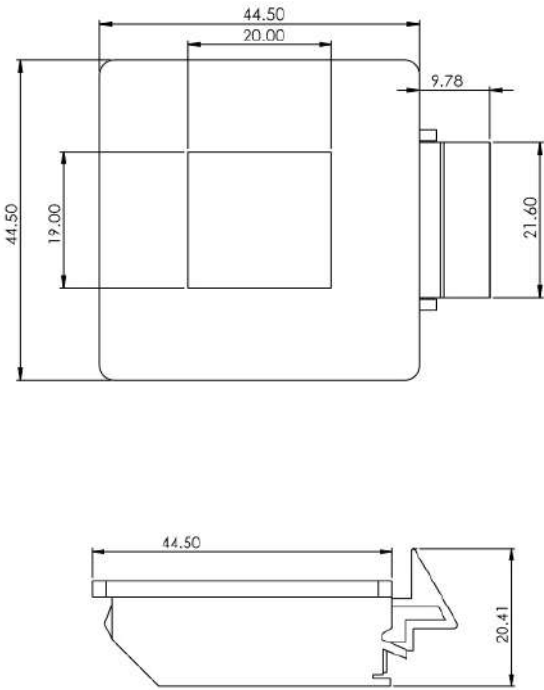
Finish Chrome Plating



Panel Locks

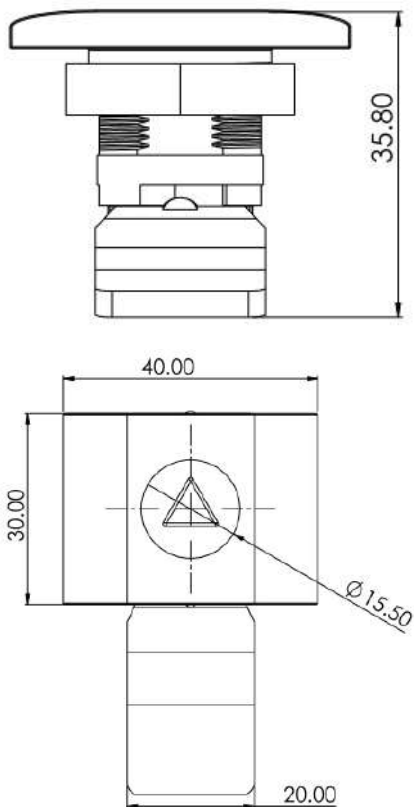
GROUP INDIA
A MANUFACTURER

APL-21

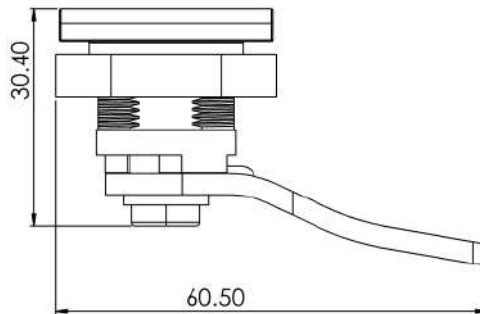
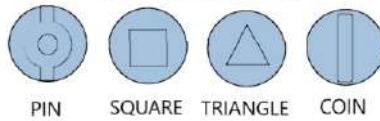


Material Zinc Die Casting Housing Body,MS-Zinc Plating Cam.
Bright Chrome / Black Powder Coated finish

APL-22



INSERT AVAILABLE



Material Zinc Die Casting-Body.

Finish Chrome Plating

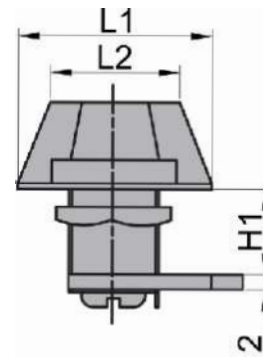
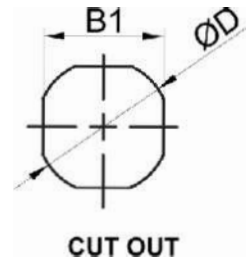
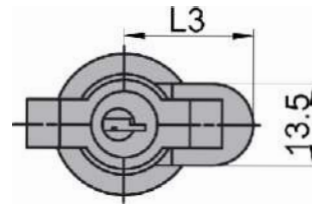


Panel Locks

GROUP INDIA
A MANUFACTURER



APL-23

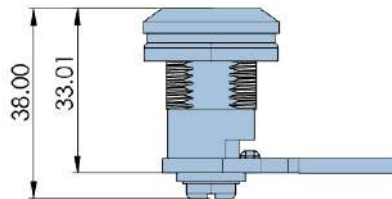
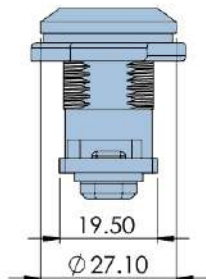
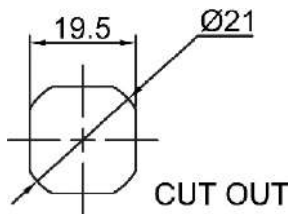
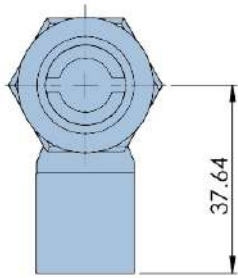


Material Zinc Die Casting-Body, Steel Cam, Steel with Plastic Moulded- Key.

Finish Black Powder Coated

Part No	L1	L2	L3	B1	H1	ØD
50	32.5	50	20	18	22	
32	22	24	14.2	15	16	
48	37	24	14.2	15	16	

APL-24



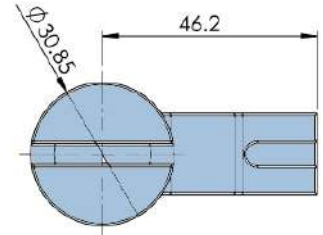
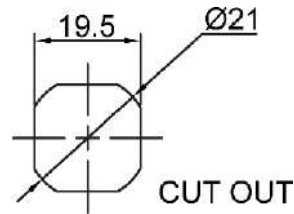
Material Zinc Die Casting-Body, Steel-Cam

Finish Chrome Plating



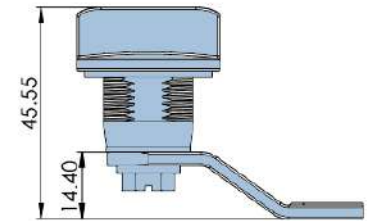
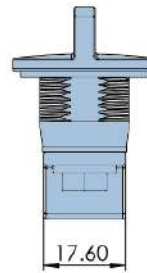
GROUP INDIA
A MANUFACTURER

APL-25



Material Zinc Die Casting-Body, Steel-Cam

Finish Chrome Plating



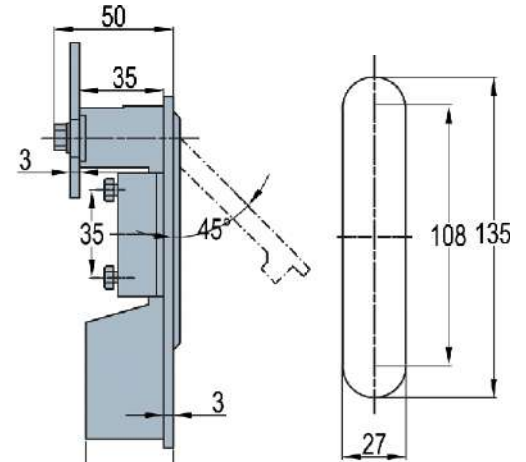
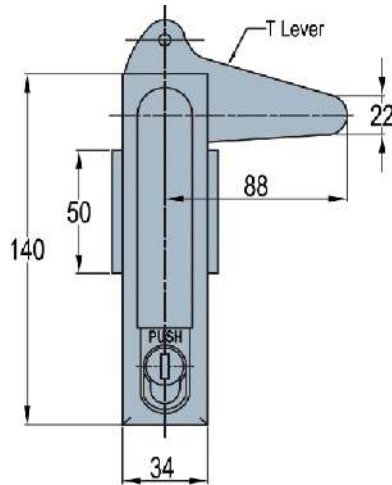
APL-26



3 Point Locks

GROUP INDIA
A MANUFACTURER

APSH-01



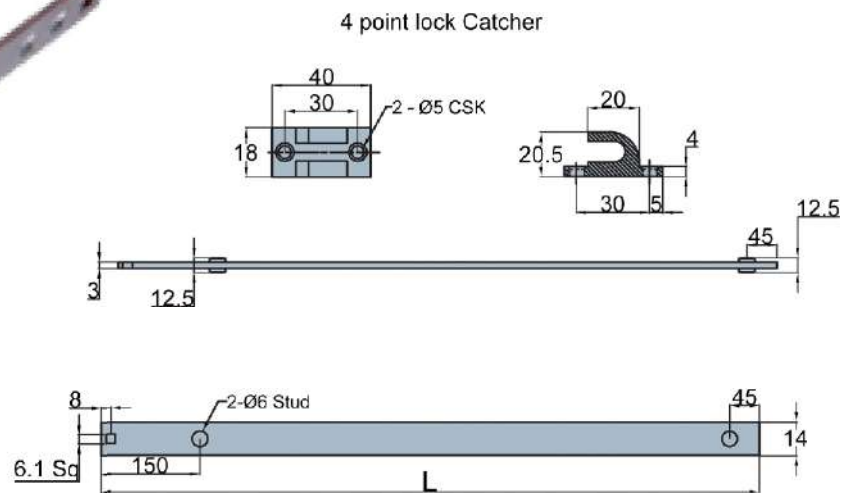
Material Zinc Die Casting-Body and Shaft,
Zinc Plating -Cam

Finish Chrome Plating/Black Powder Coated

APSH-02



Material Zinc Die Casting-Catcher,
Steel Flat Rod
Finish Zinc Blue Plating



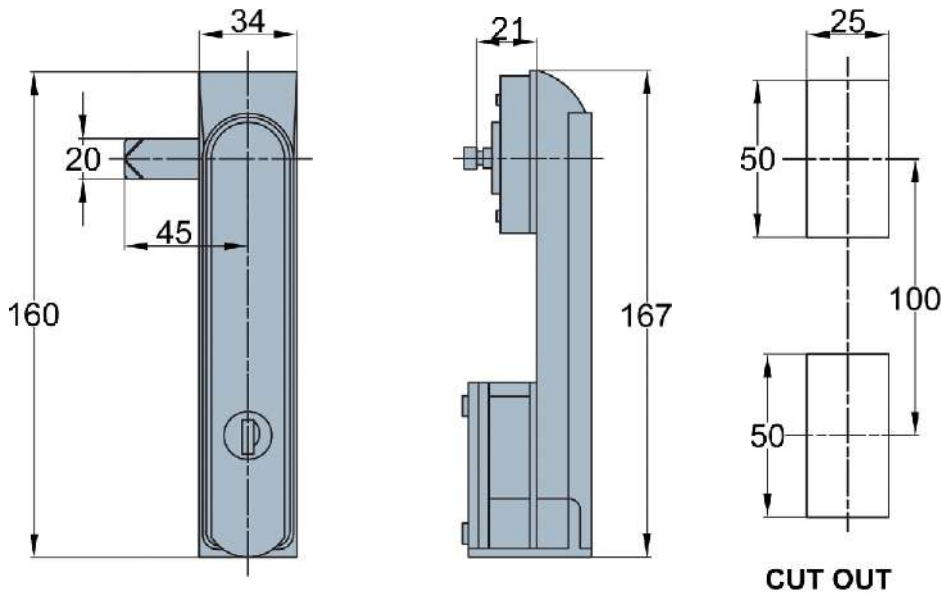
Size available upto 1000mm on request



3 Point Locks

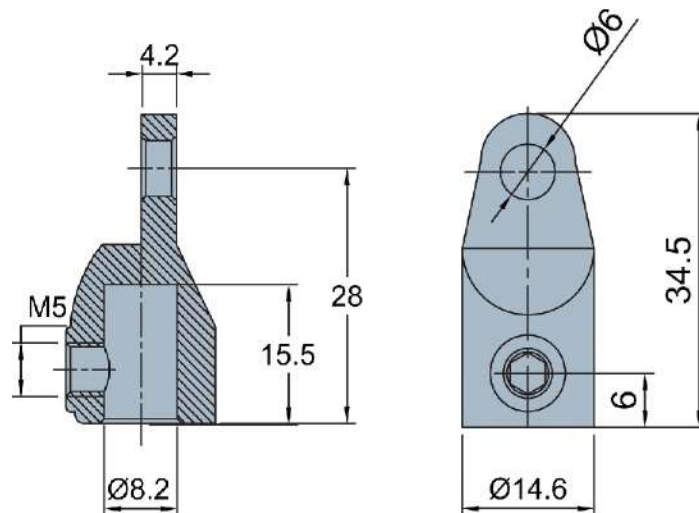
GROUP INDIA
A MANUFACTURER

APSH-03



Material Polyamide Body, Steel-Cam

APSH-04



Material Zinc Die Casting

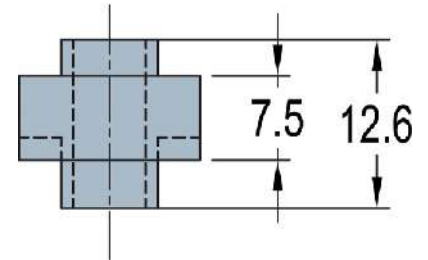
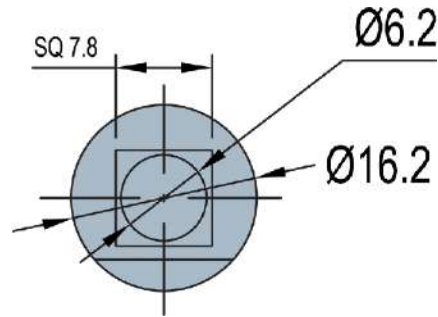
Finish Zinc Blue Plating



3 Point Locks

GROUP INDIA
A MANUFACTURER

APSH-05

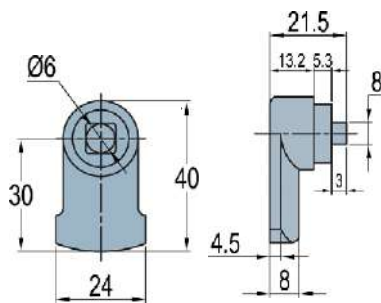


ADAPTER FOR 3 POINT LOCK

Material Zinc Die Casting

Material Zinc Blue Plating / Sand Blasting

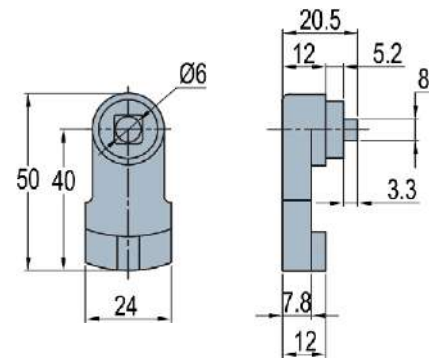
APSH-06



Material Zinc Die Casting.

Finish Zinc Blue Plating / Sand Blasting

APSH-07



Material Zinc Die Casting.

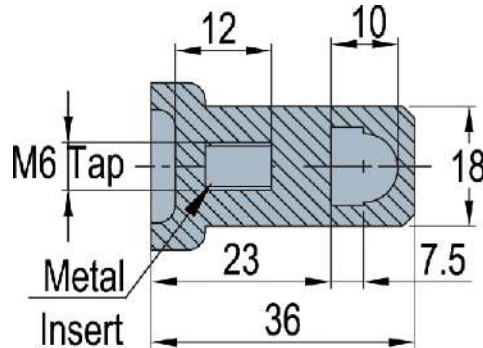
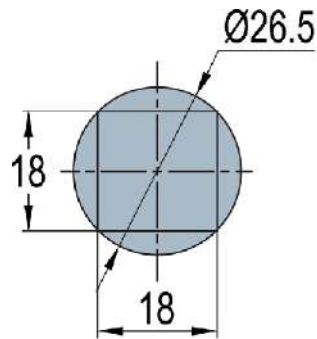
Finish Zinc Blue Plating / Sand Blasting



3 Point Locks

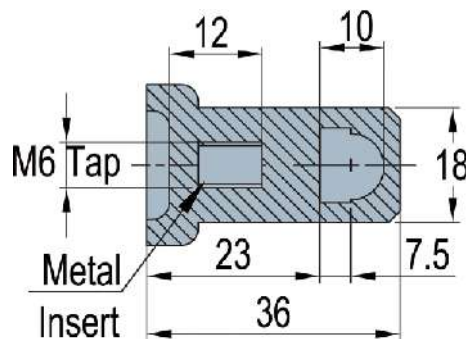
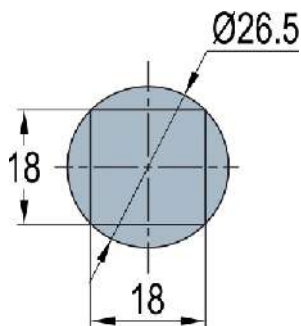
GROUP INDIA
A MANUFACTURER

APSH-08



Material Polyamide

APSH-09



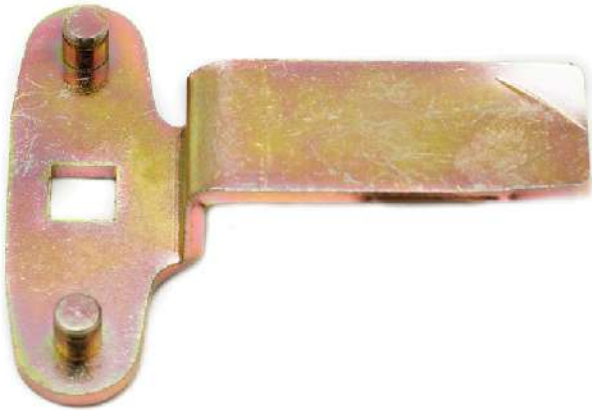
Material: Polyamide



3 Point Locks

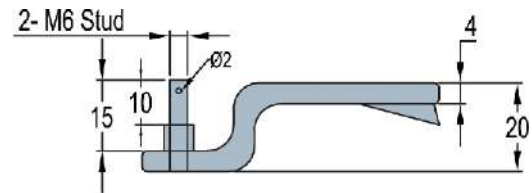
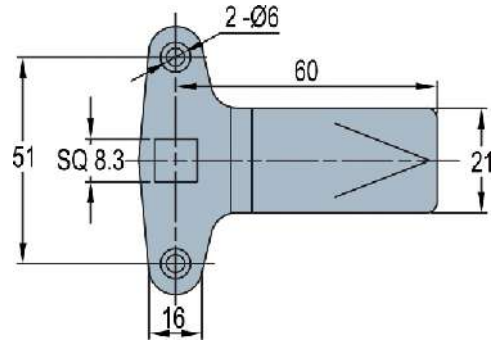
GROUP INDIA
A MANUFACTURER

ASPH-10



Material Steel

Finish Zinc Yellow Plating

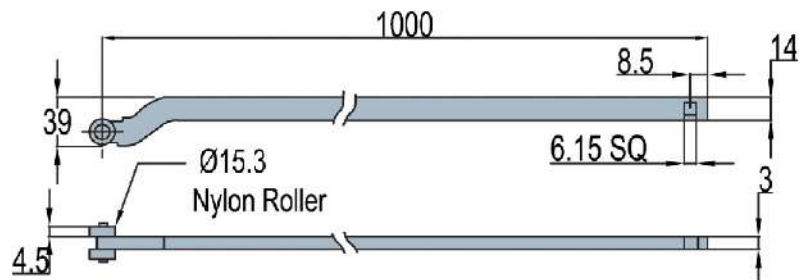
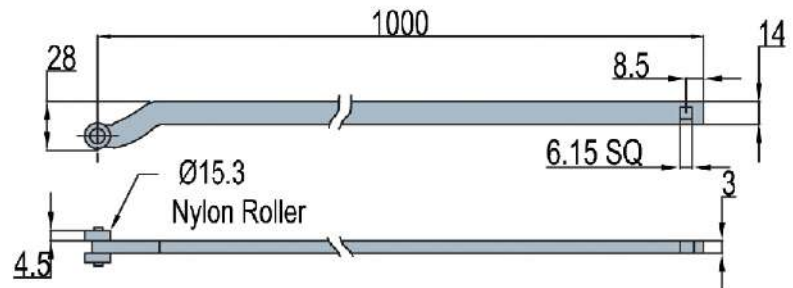


APSH-11



Material MS Rod, Nylon Rollers

Finish Zinc Blue Plating

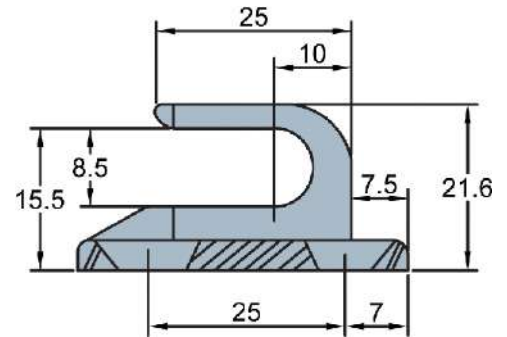
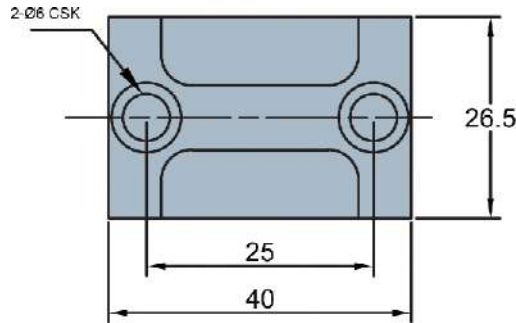




3 Point Locks

GROUP INDIA
A MANUFACTURER

APSH-12

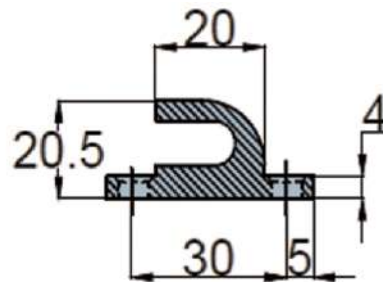
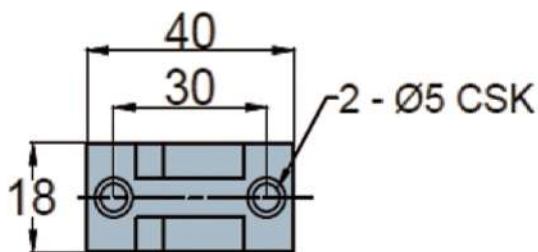


Material Zinc Die Casting

Finish Zinc Blue Plating / Sand Blasting

APSH-13

4 point lock Catcher



Material Zinc Die Casting

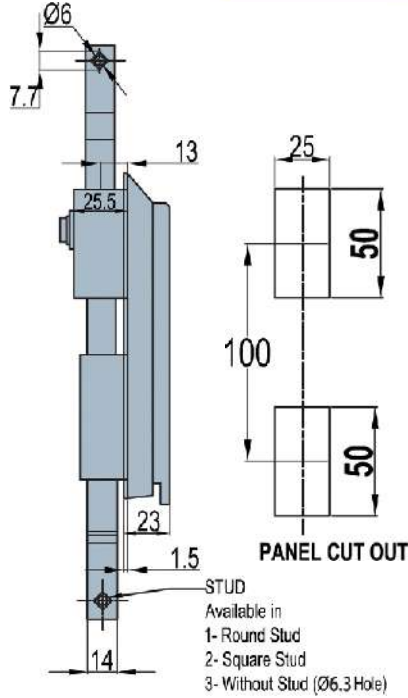
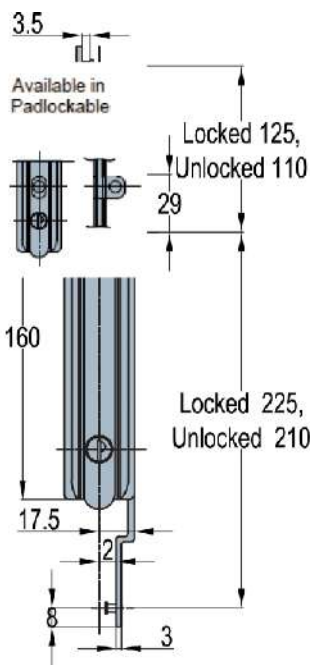
Finish Zinc Blue Plating



3 Point Locks

GROUP INDIA
A MANUFACTURER

APSH-14

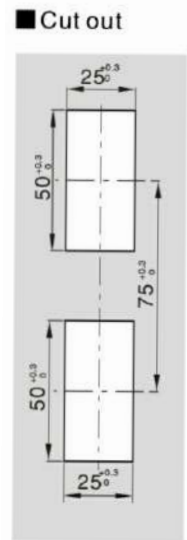
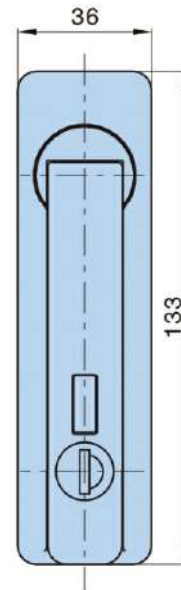
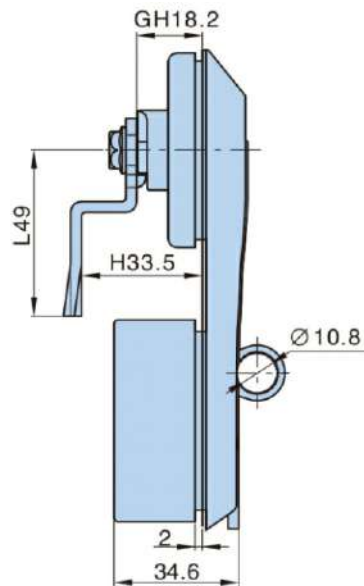


Material PA 6 Body, Brass/Zinc Shaft, Zinc Plating-Cam, Fixing parts. Nickel/Zinc Plating Driving Rod.

APSH-15



Material: Zinc die-casting body and handle, Zinc plating cam

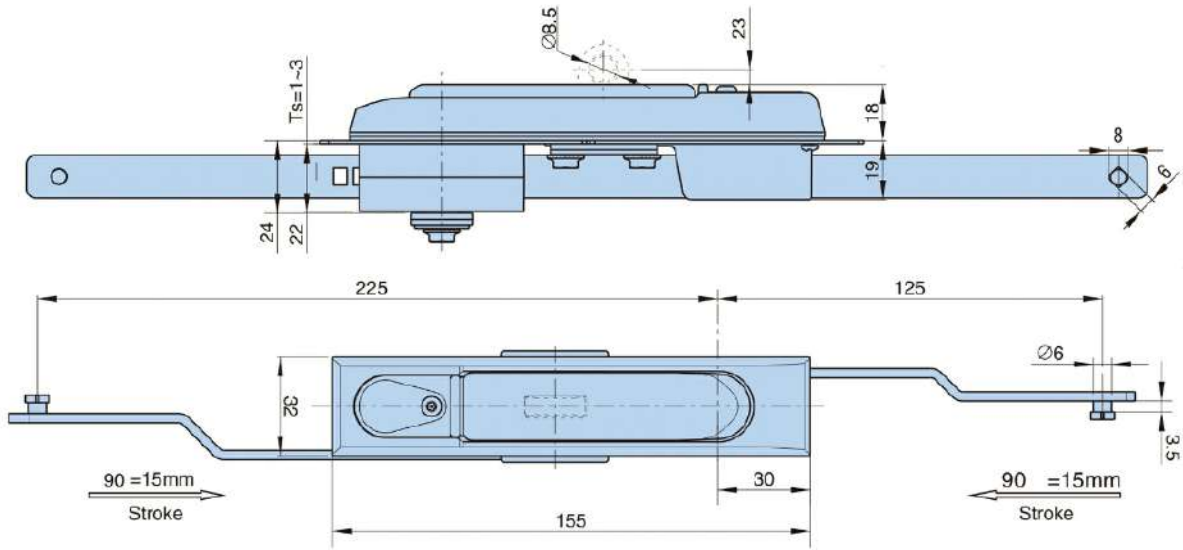




3 Point Locks

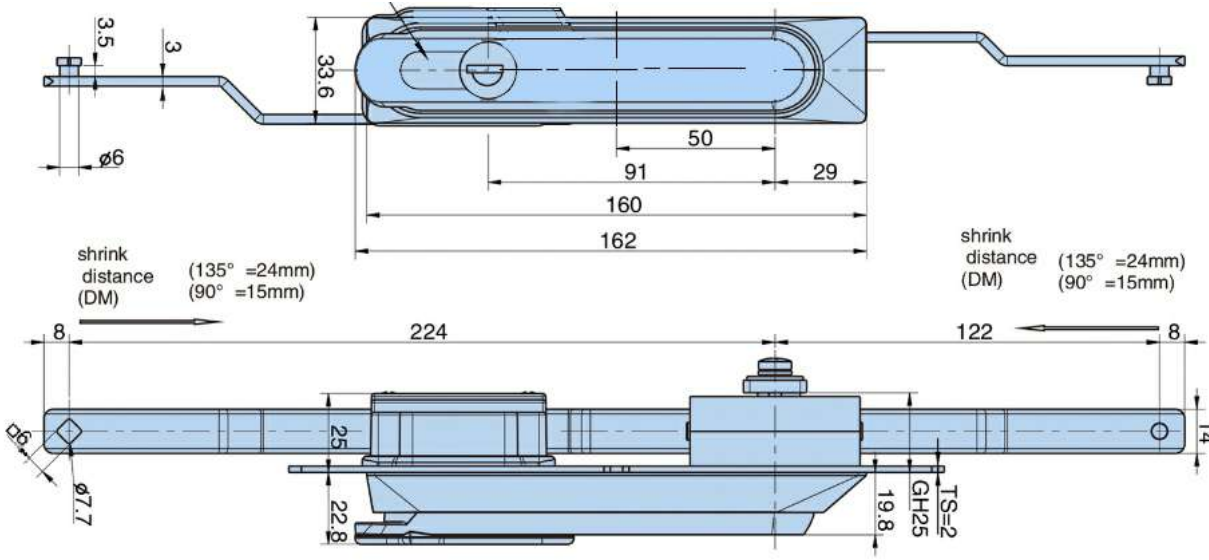
GROUP INDIA
A MANUFACTURER

APSH-16



Material: Zinc alloy housing, back and cylinder, A3 steel rod, cam

APSH-17



Material: PA body, brass shaft, Zinc plating shaft, cam, sand bright chrome plating rack



AN ISO CERTIFIED Co.

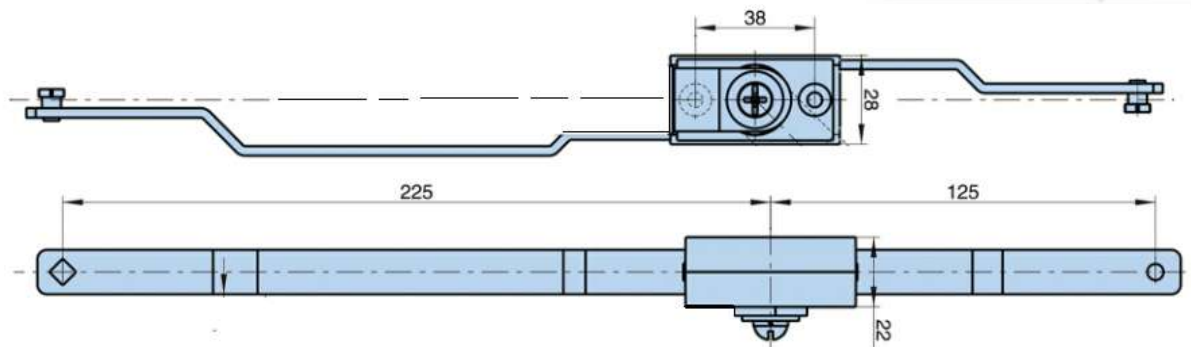
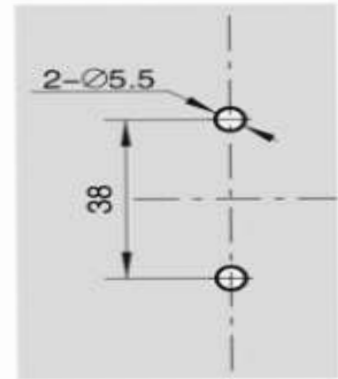
3 Point Locks

GROUP INDIA
MANUFACTURER

APSH-18

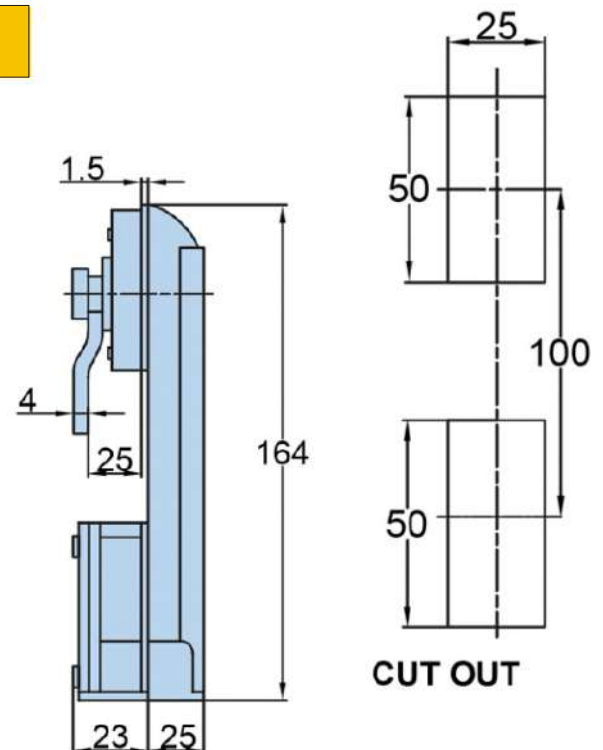
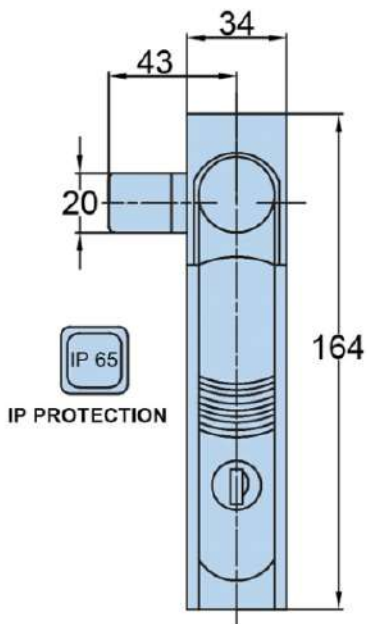


■ Cut Out



Material: Zinc die -casting rod box
steel with plastic cover

APSH-19



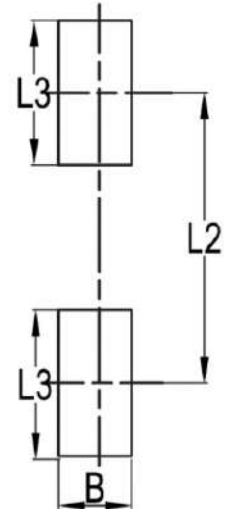
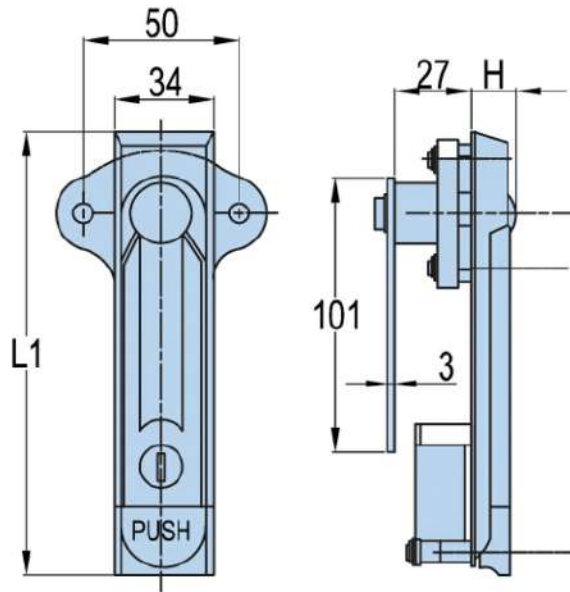
Material: PA6-Body Brass Zinc
Shaft, Zinc Plating Cam.



3 Point Locks

GROUP INDIA
A MANUFACTURER

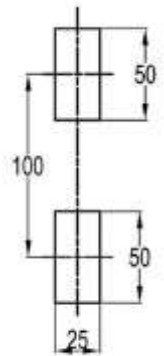
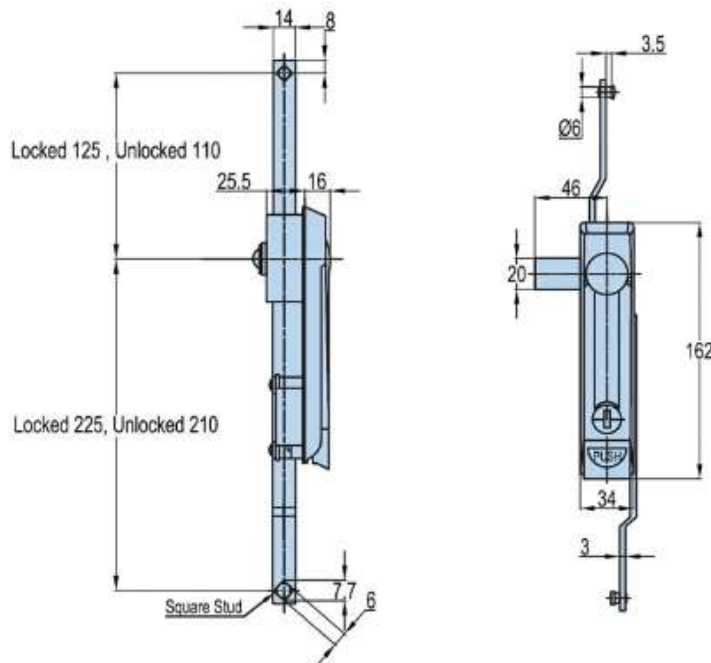
APSH-20



L1	L2	L3	B	H
162	100	50	25	16

Material: Zinc alloy housing, back and cylinder, A3 steel rod, cam

APSH-21



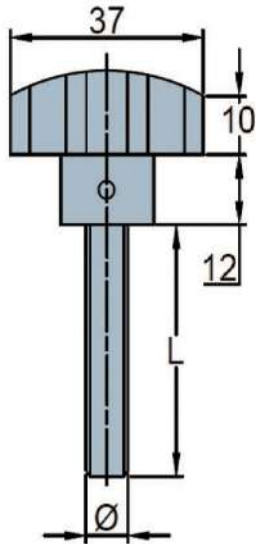
Material: Zinc die -casting rod box steel with plastic cover



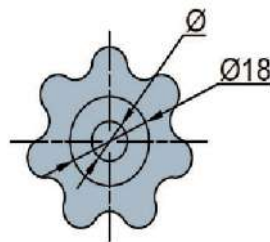
Handles & Knobs

GROUP INDIA
A MANUFACTURER

APKH-01

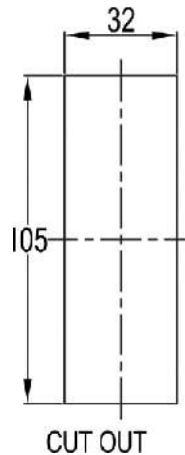
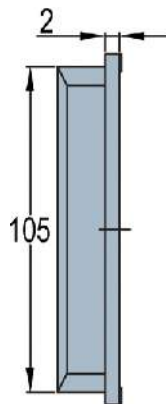
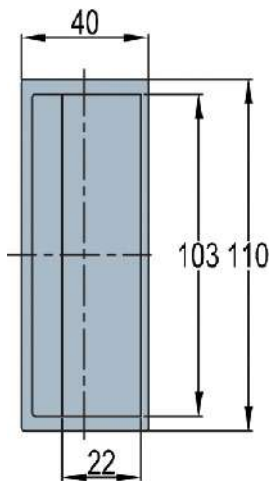
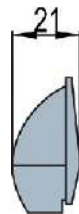


L	Ø
40	M8
40	M10



Material	Bakelite / Plastic Knob, Ms Bolt
----------	----------------------------------

APKH-02



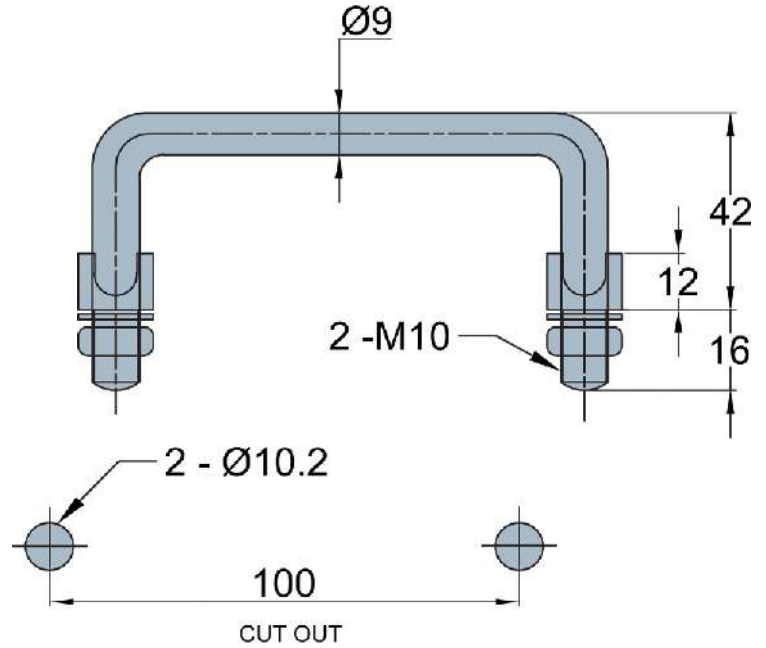
Material	ABS
Finish	Black / Grey



Handles & Knobs

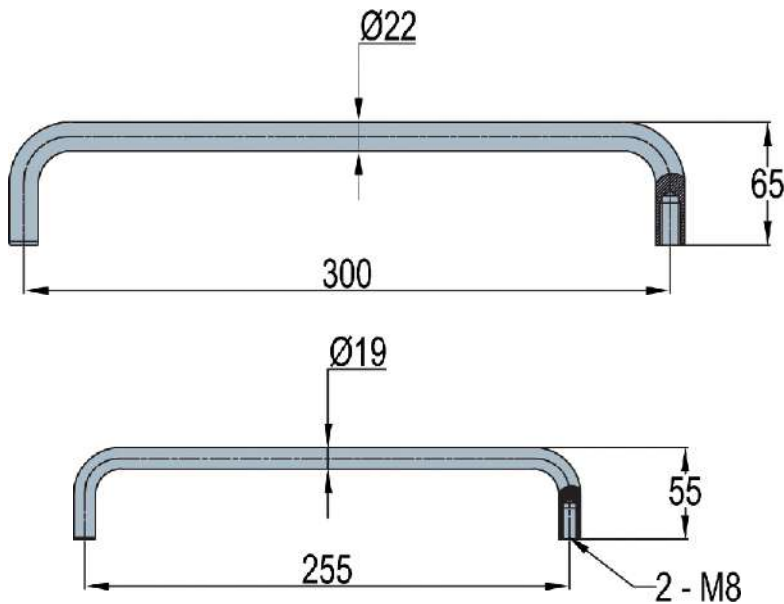
GROUP INDIA
A MANUFACTURER

APKH-03



Material	Steel
Finish	Bright Chrome Plating

APKH-04

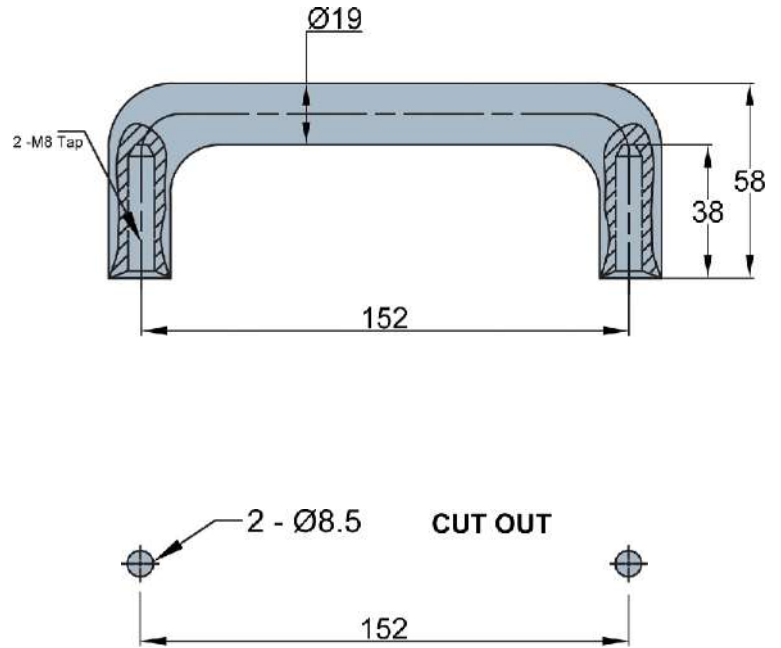


Material	Stainless Steel
----------	-----------------



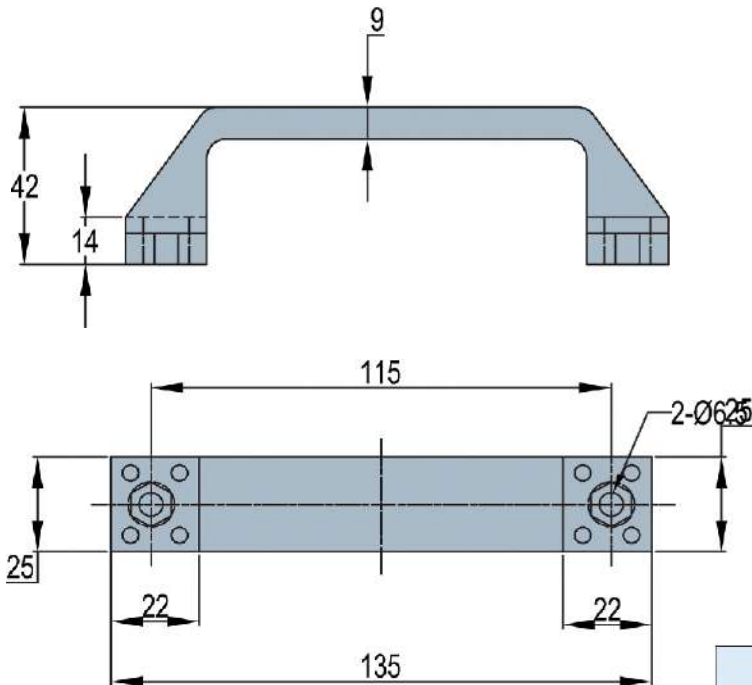
GROUP INDIA
A MANUFACTURER

APKH-05



Material	Aluminium
-----------------	-----------

APKH-06



Material	Brass & Polyamide 6-GF-30
-----------------	---------------------------

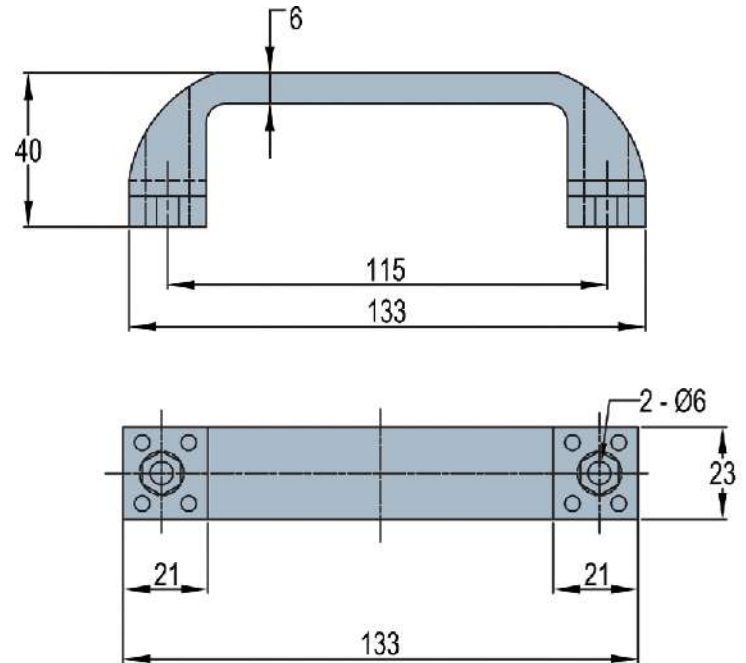


AN ISO CERTIFIED Co.

Handles & Knobs

GROUP INDIA
A MANUFACTURER

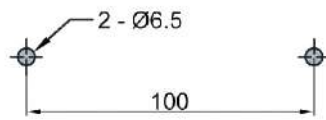
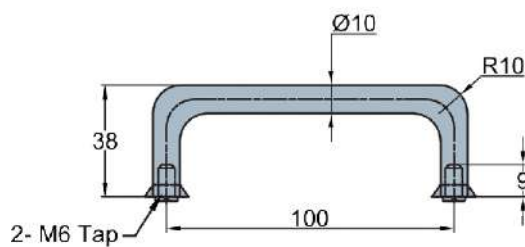
APKH-07



Material	Brass & Polyamide 6-GF-30
-----------------	---------------------------

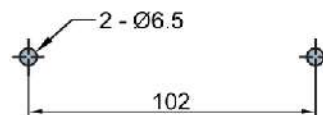
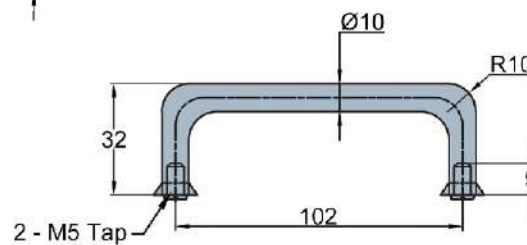
Steel

APKH-08



CUT OUT

Stainless Steel



CUT OUT

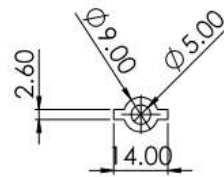
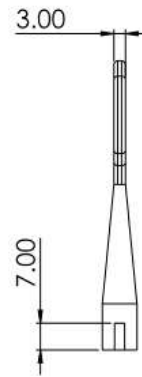
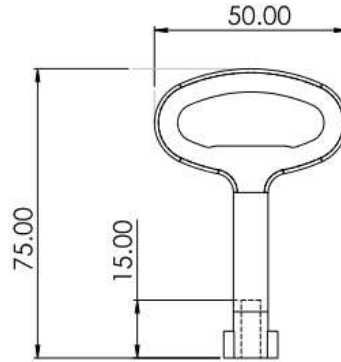


Material	Stainless Steel
-----------------	-----------------



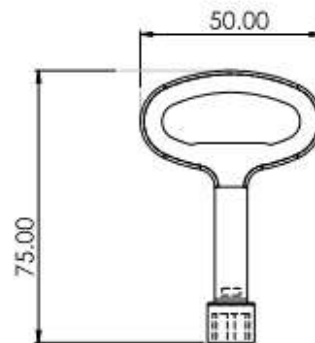
GROUP INDIA
A MANUFACTURER

APK-01



Material Zinc Die Casting *Finish* : Chrome Plating, Shot Blasting & Nickel Plating , Powder Coating.

APK-02

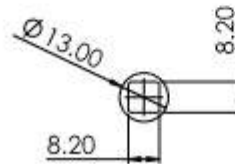
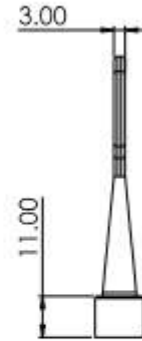
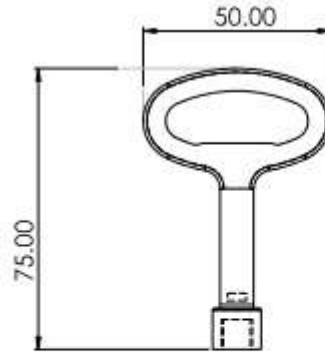


Material Zinc Die Casting *Finish* : Chrome Plating, Shot Blasting & Nickel Plating , Powder Coating.



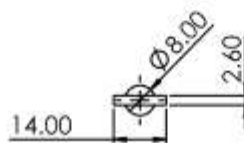
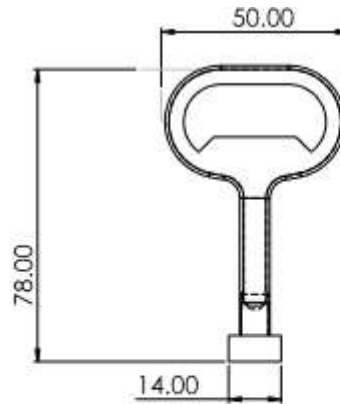
GROUP INDIA
A MANUFACTURER

APK-03



Material Zinc Die Casting *Finish* : Chrome Plating, Shot Blasting & Nickel Plating , Powder Coating.

APK-04



Material Zinc Die Casting *Finish* : Chrome Plating, Shot Blasting & Nickel Plating , Powder Coating.

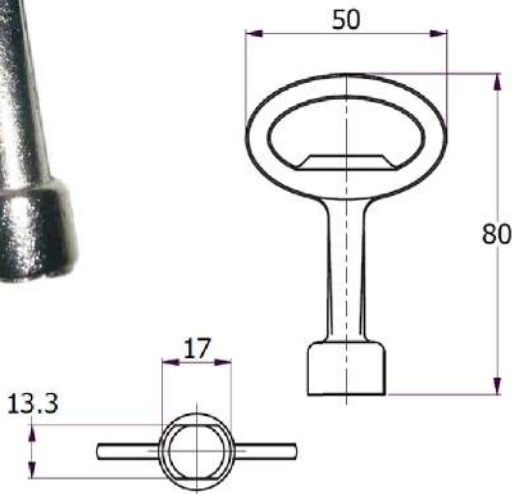


Keys

GROUP INDIA
A MANUFACTURER



APK-05



APK-06



M.S. Iron

APK-08



APK-07



M.S. Iron

APK-11



APK-09



APK-13



APK-10



APK-12



APK-14

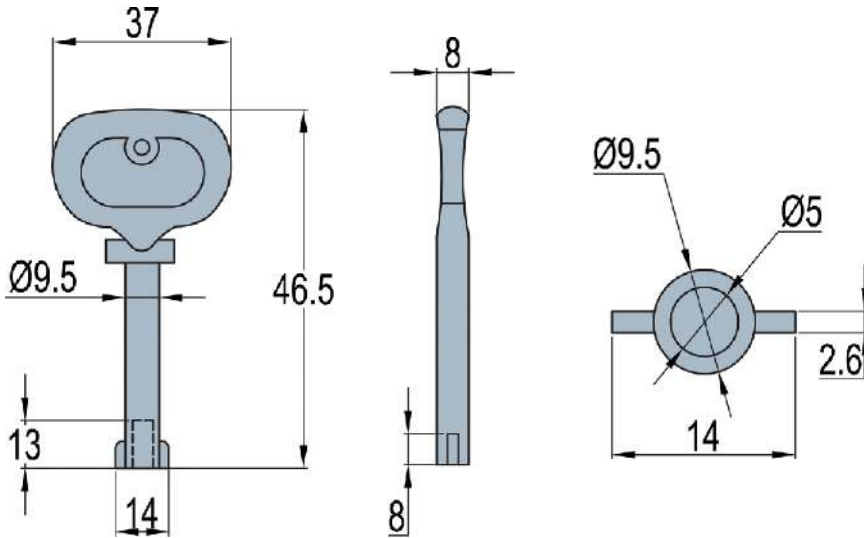




Keys

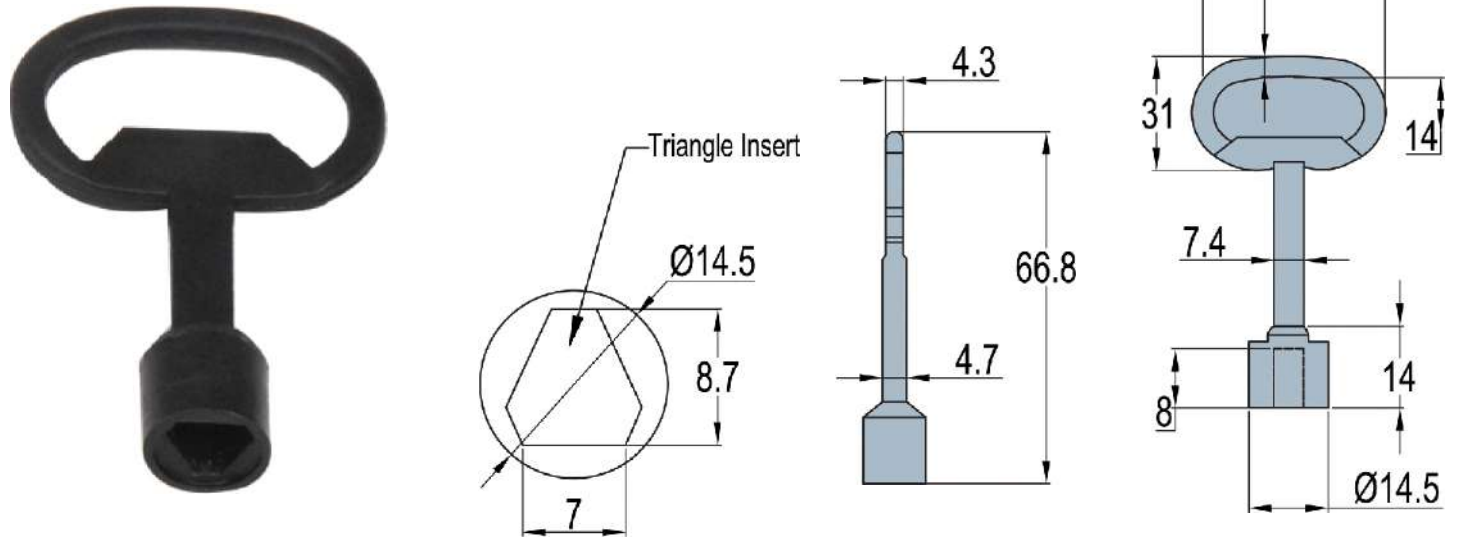
GROUP INDIA
A MANUFACTURER

APK-15



Material Polyamide-6 GF-30

APK-16



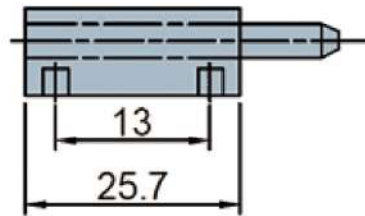
Material Polyamide-6 GF-30



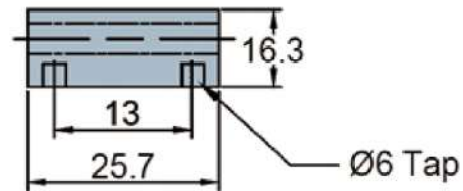
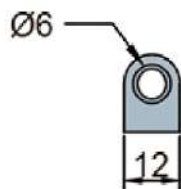
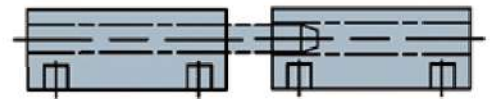
APH-01



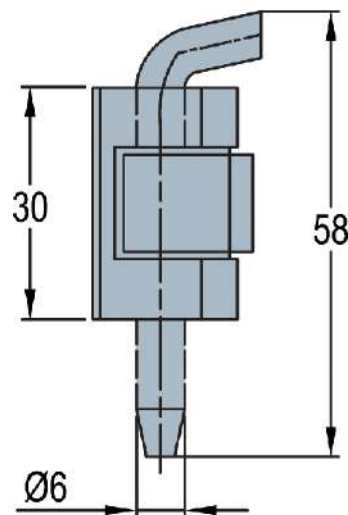
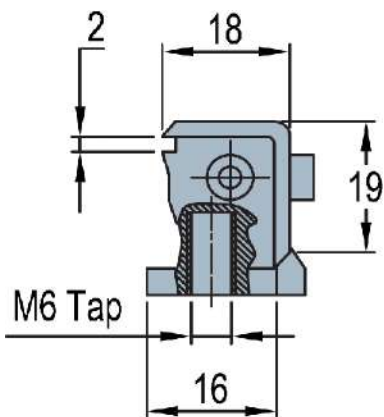
Material Brass
Finish Nickel



ASSEMBLY



APH-02

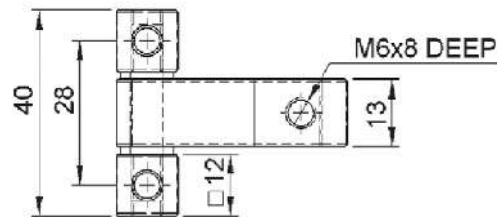
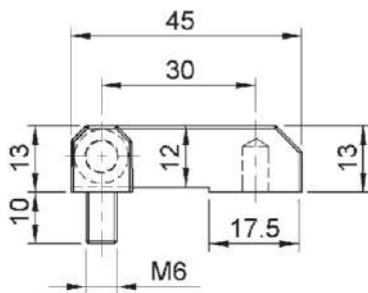


Material Zinc Die Casting with Steel Pin
Finish Black Powder Coating



GROUP INDIA
A MANUFACTURER

APH-03

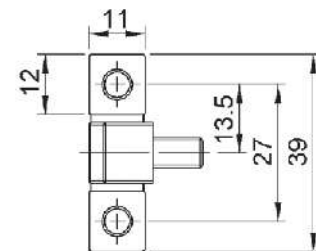
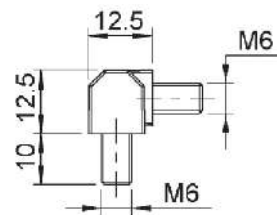


M/S 180 DGR

S.S.Pin
Opening Angle 180°

Available in SS 304 & Brass

APH-04



M/S 180 DGR

S.S.Pin
Opening Angle 180°

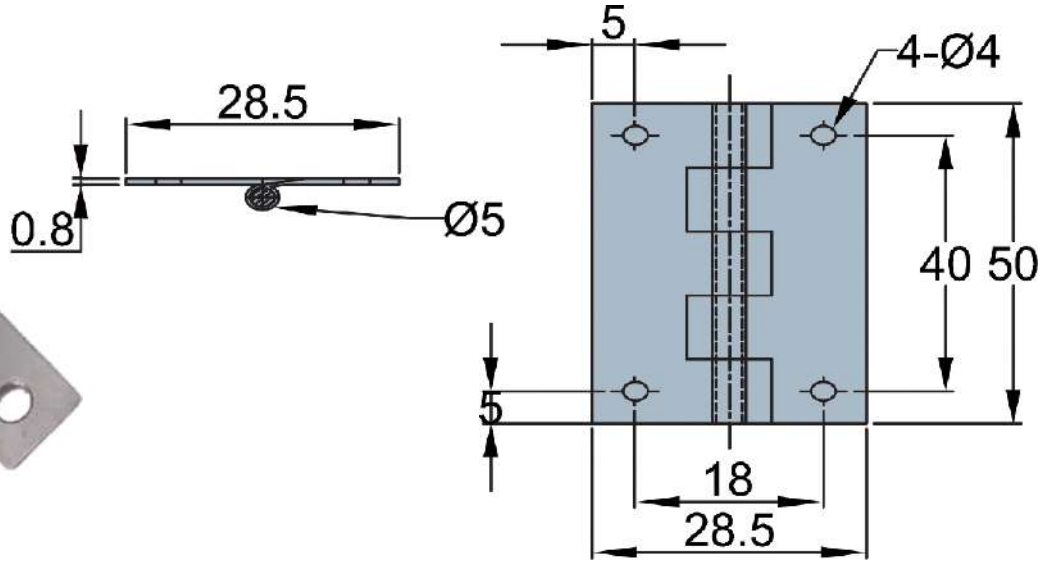
Available in SS 304 & Brass



Hinges

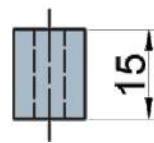
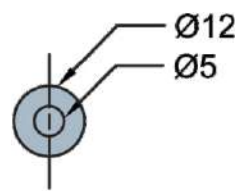
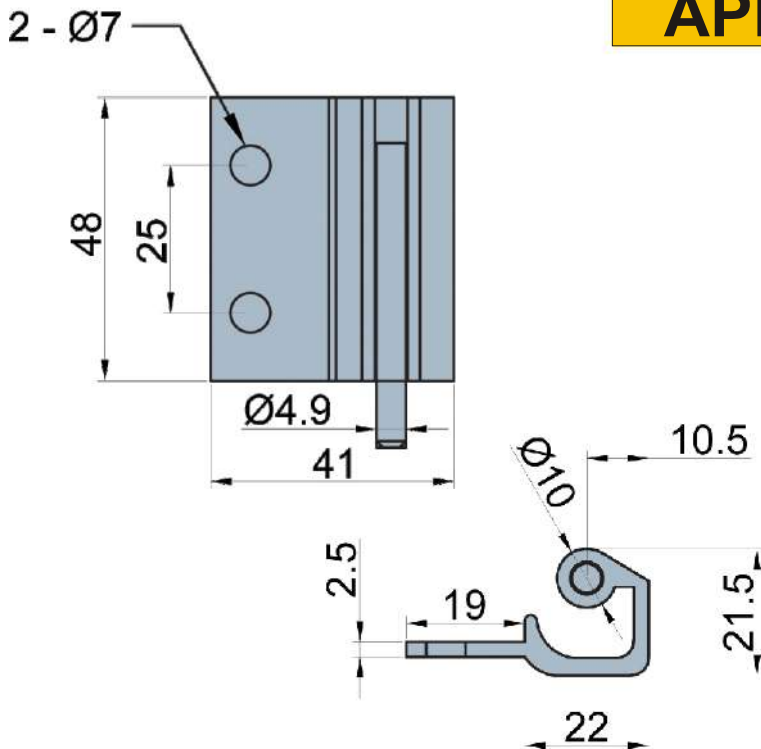
GROUP INDIA
A MANUFACTURER

APH-05



Material Stainless Steel

APH-06



Material Aluminium Section-Steel Weld Bush



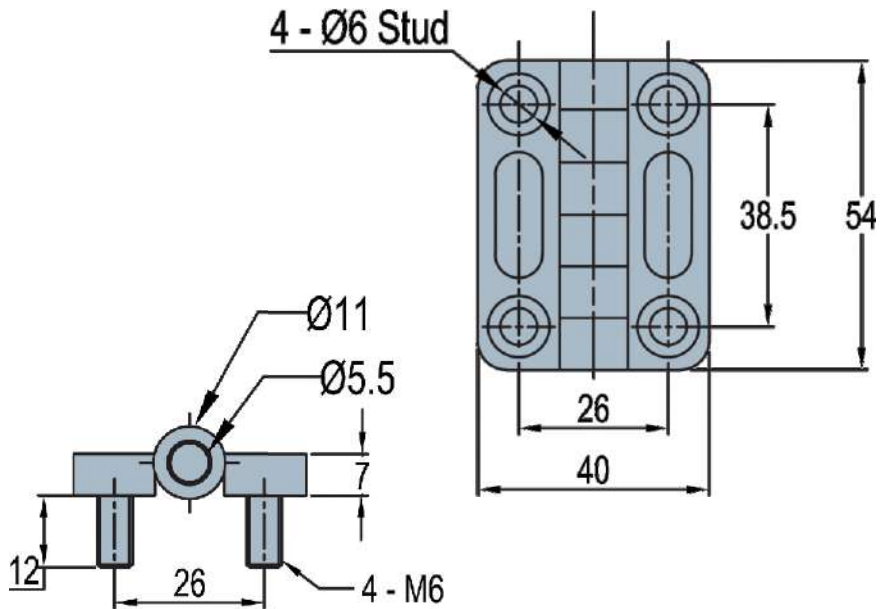
Hinges

GROUP INDIA
A MANUFACTURER

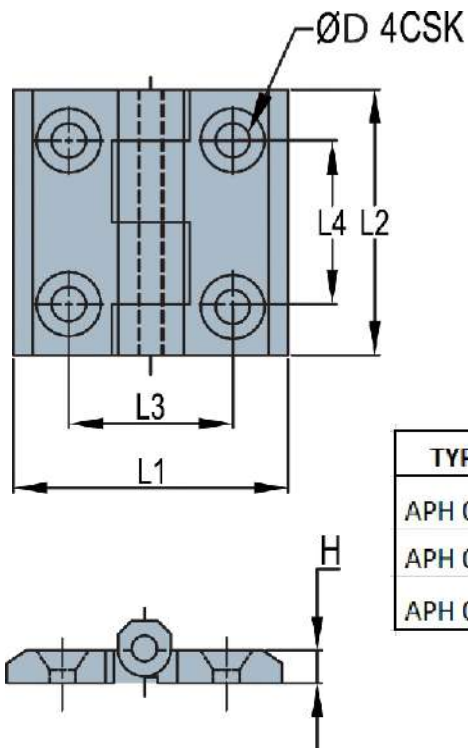
APH-07



Material Steel Panel, Zinc Die Casting
Finish Black Powder Coated



APH-08



TYPE	L1	L2	H	D
APH 08-1	40	25	21	6
APH 08-2	50	30	21	6
APH 08-3	60	35	21	8



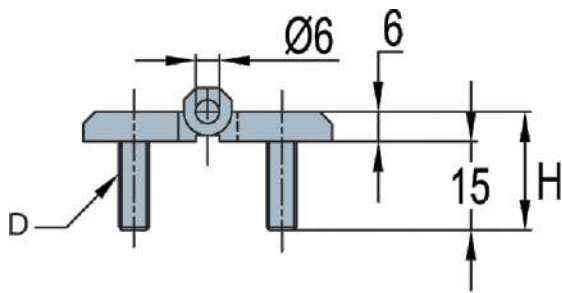
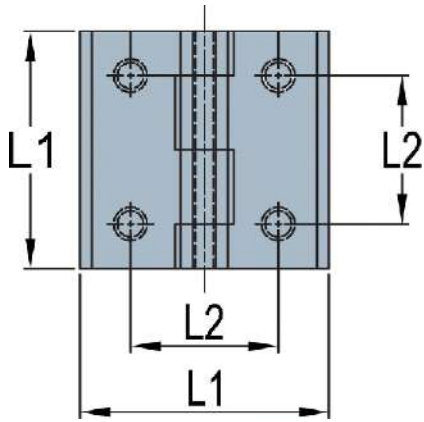
Material Zinc Die Casting/Stainless Steel
/Polyamide
Finish Black Powder Coated



Hinges

GROUP INDIA
A MANUFACTURER

APH-09



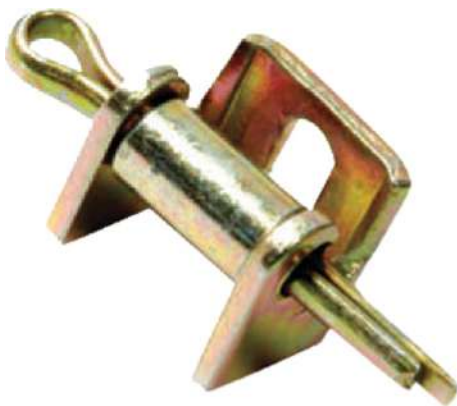
TYPE	L1	L2	H	D
APH 09-1	40	25	21	6
APH 09-2	50	30	21	6
APH 09-3	60	35	21	8



Material Zinc Die Casting

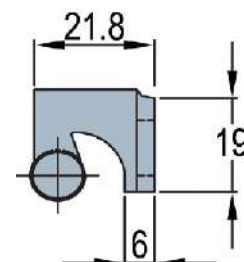
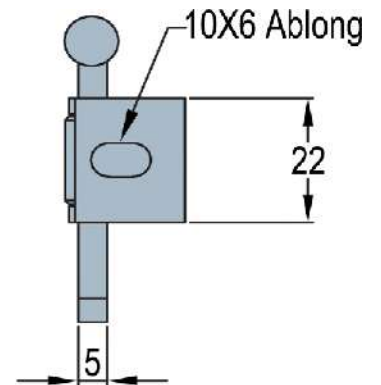
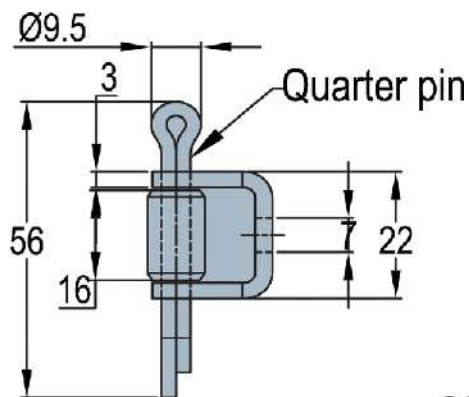
Finish Black Powder Coating

APH-10



Material Steel

Finish Zinc Yellow Plating

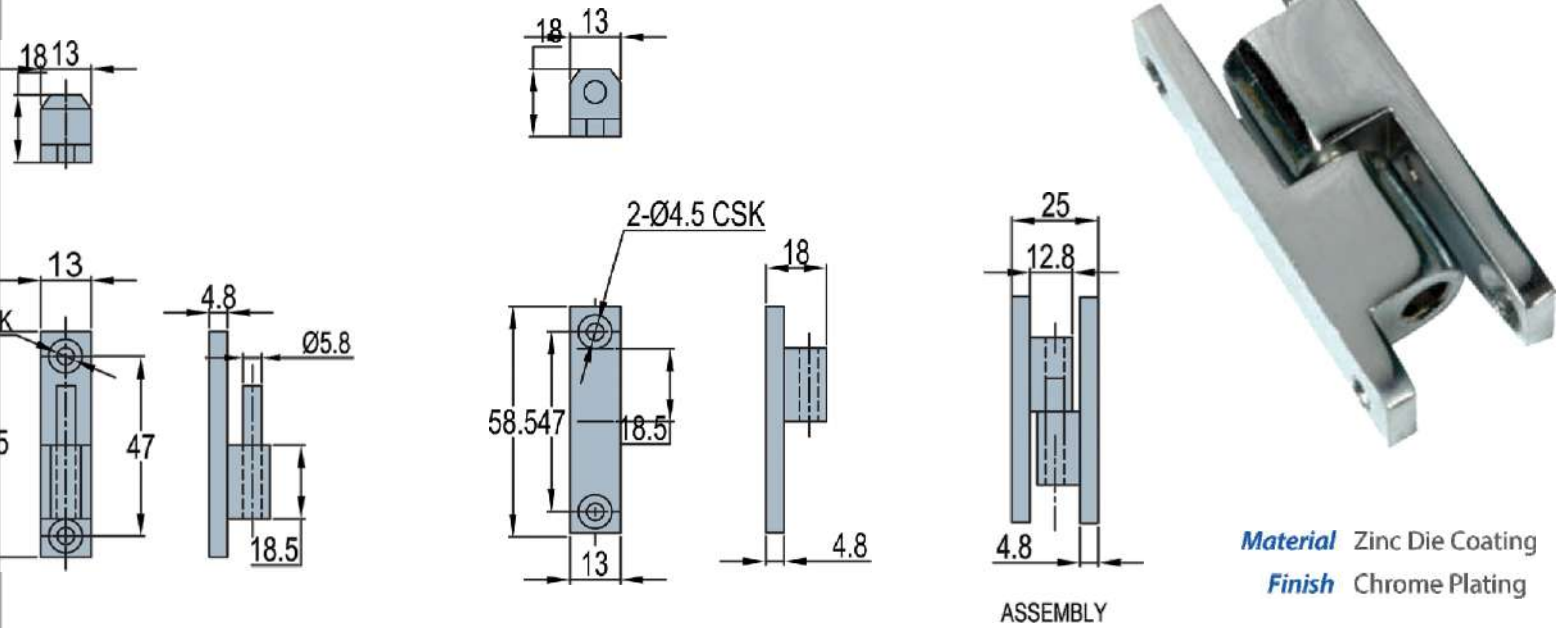




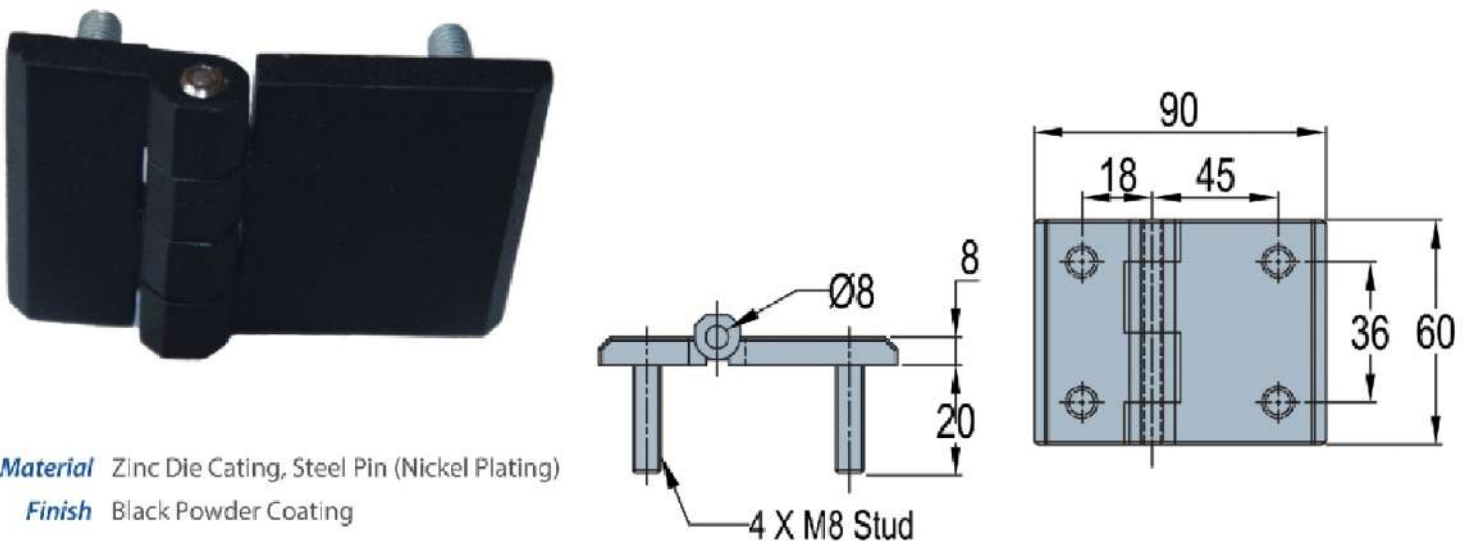
Hinges

GROUP INDIA
A MANUFACTURER

APH-11



APH-12

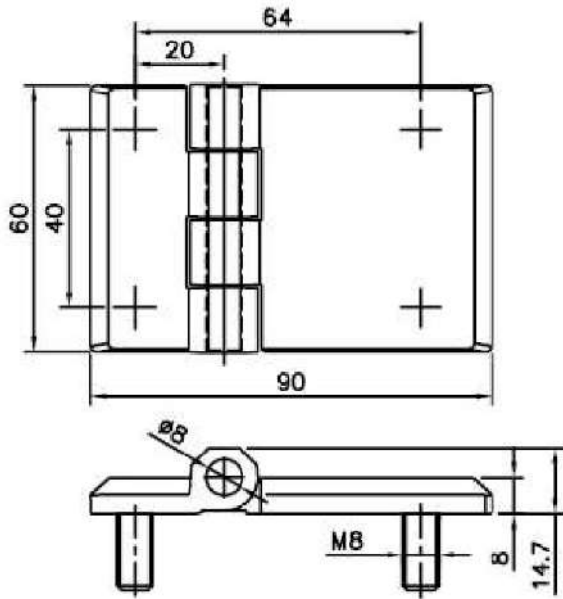




Hinges

GROUP INDIA
A MANUFACTURER

APH-12A

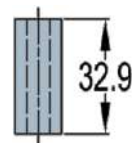
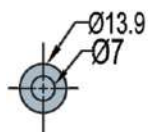


Material and finishing:
Zinc alloy with black powder coated

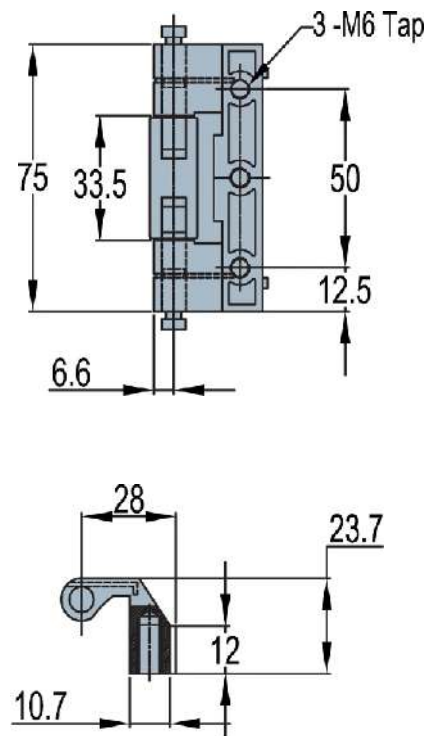
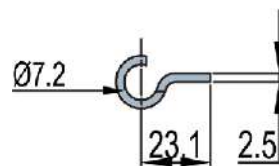
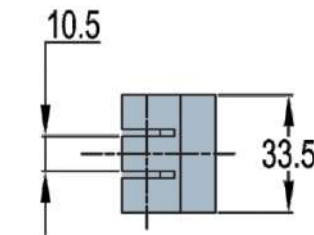


APH-13

Weld Bush



Weld Sheet
Metal Bush



Material Zinc Die Casting

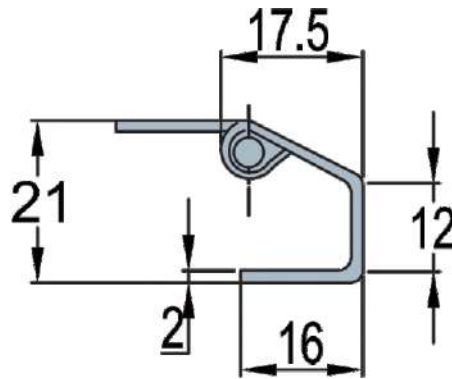
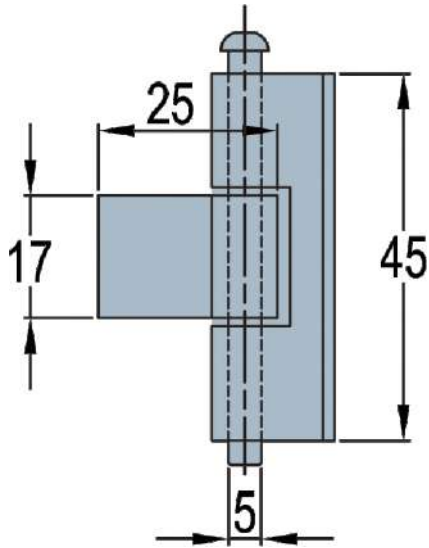
Finish Sand Blasting / Powder Coated



Hinges

GROUP INDIA
A MANUFACTURER

APH-14



Material Steel

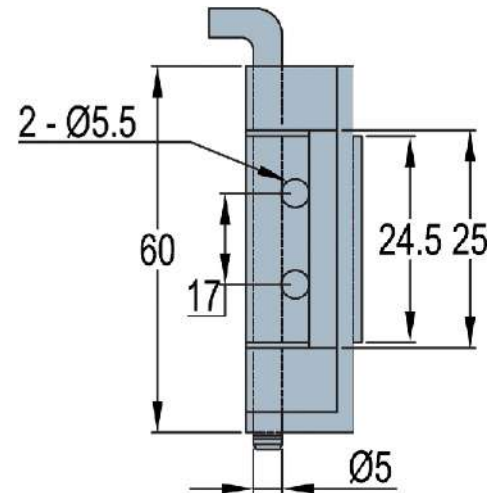
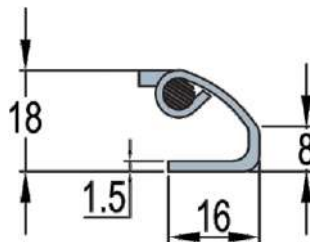
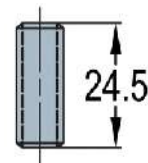
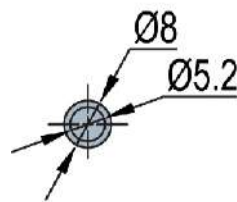
Finish Zinc Blue Plating/Without Plating

APH-15

Material Steel

Finish Zinc Yellow Plating

Weld Bush

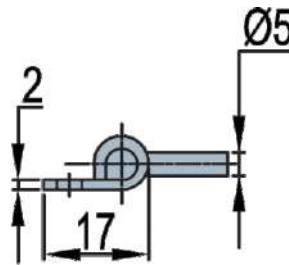
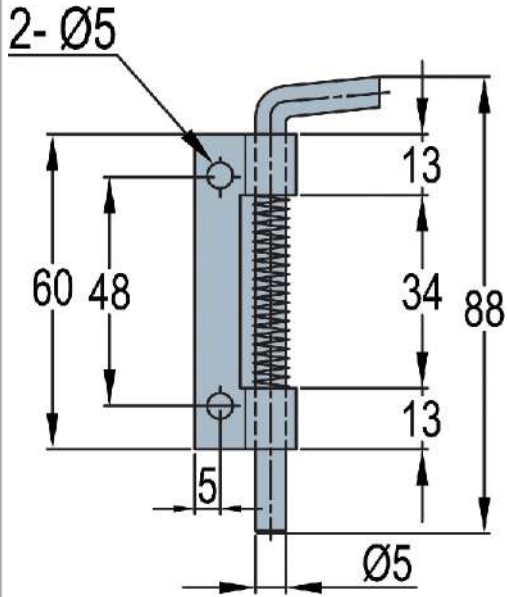




Hinges

GROUP INDIA
A MANUFACTURER

APH-16



Material Steel

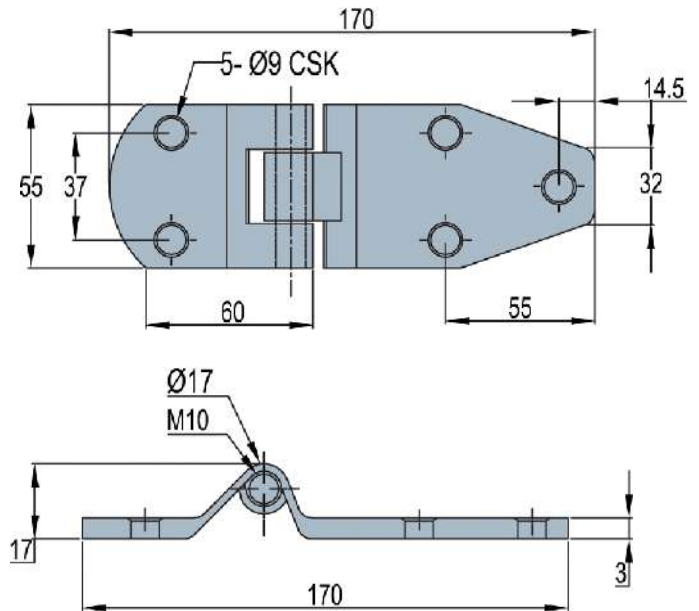
Finish Zinc Blue Plating/Yellow Plating

APH-17



Material Steel, Also available in Stainless Steel

Finish Chrome Plating/Black Powder Coated

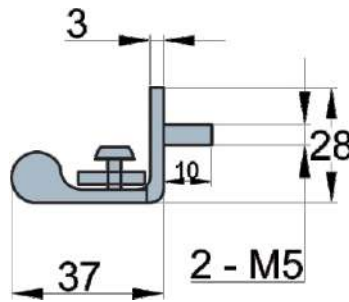
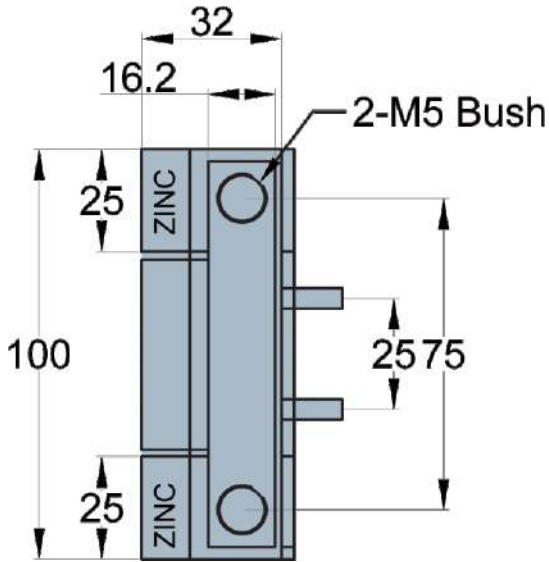




Hinges

GROUP INDIA
A MANUFACTURER

APH-18



Material Steel.

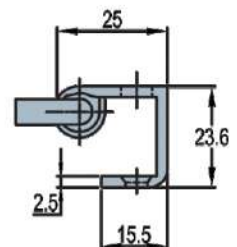
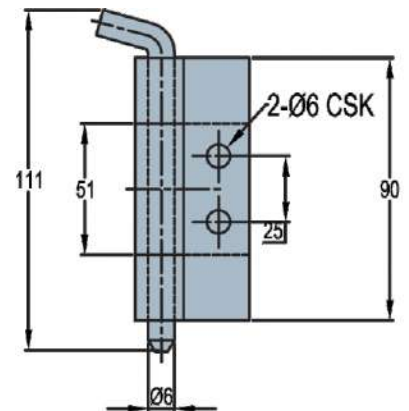
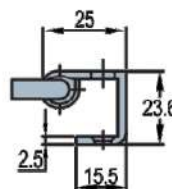
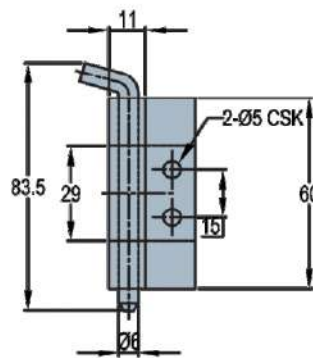
Finish Black Powder Coating

APH-19



Material Steel

Finish Zinc Blue Plating / Yellow Plating



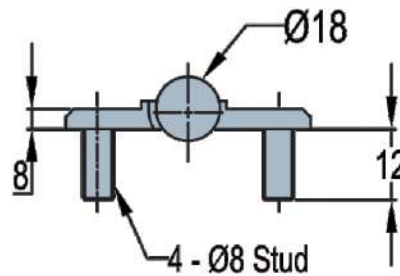
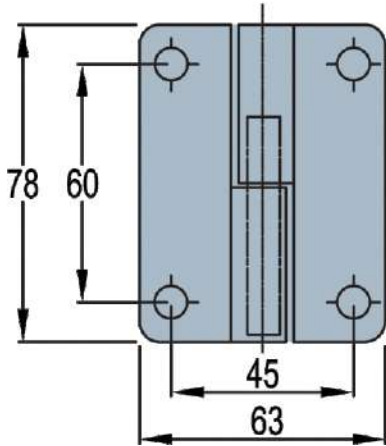


Hinges

GROUP INDIA
A MANUFACTURER

APH-20

Available in LH & RH



Material Zinc Die Casting

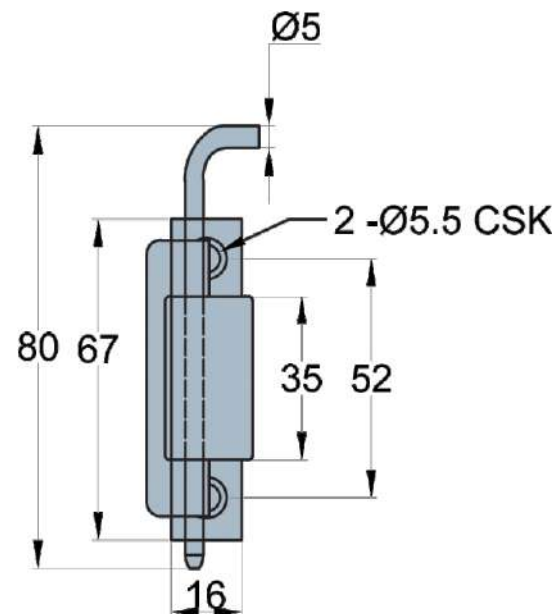
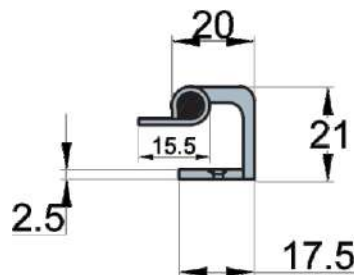
Finish Black Powder Coating

APH-21



Material Steel.

Finish Zinc Blue Plating

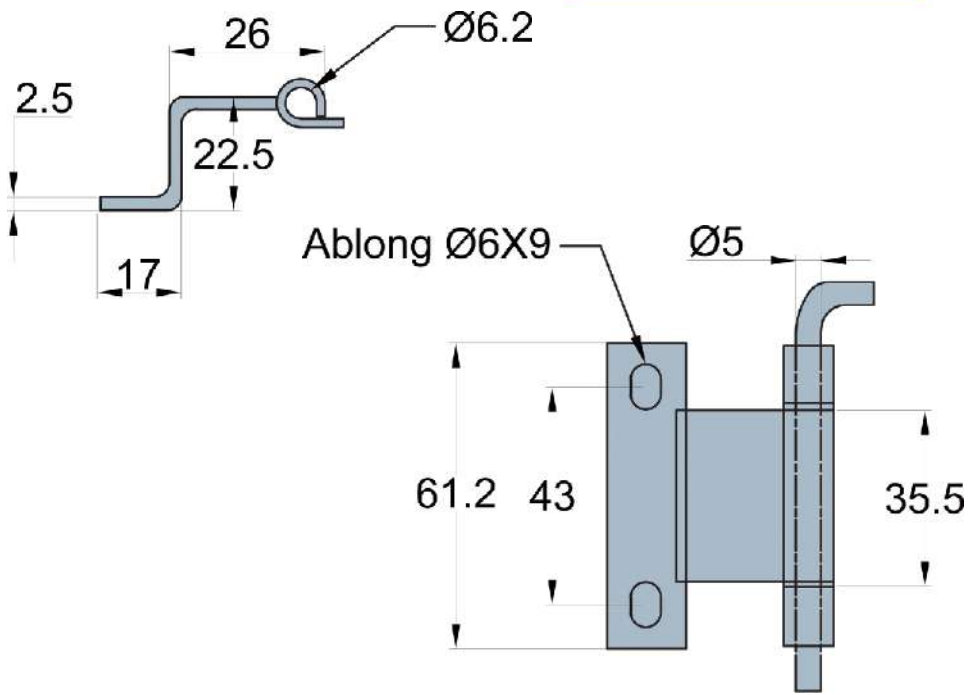




Hinges

GROUP INDIA
A MANUFACTURER

APH-22



Material Steel

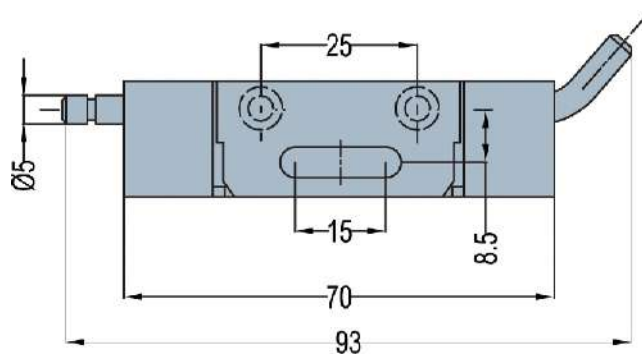
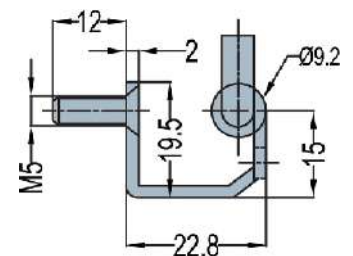
Finish Zinc Blue Plating

APH-23



Material Steel.

Finish Zinc Blue Plating

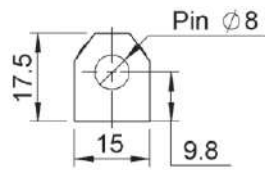
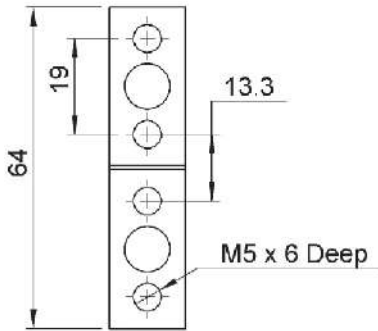




Hinges

GROUP INDIA
A MANUFACTURER

APH-24

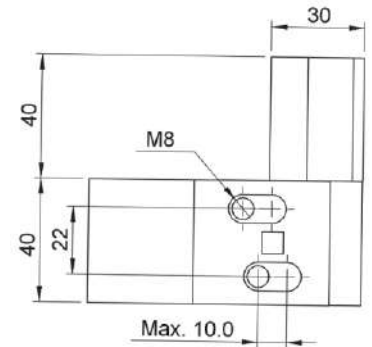
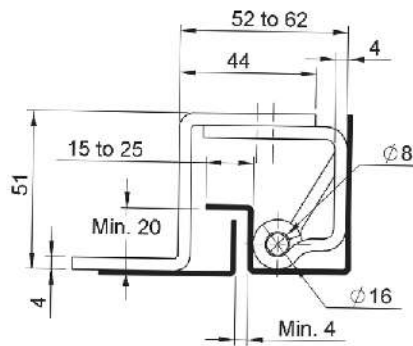


S.S.Pin
Black powder coated
Opening angle 180°

APH-25



M.S.Pin
Zinc Plated
Opening Angle 100°

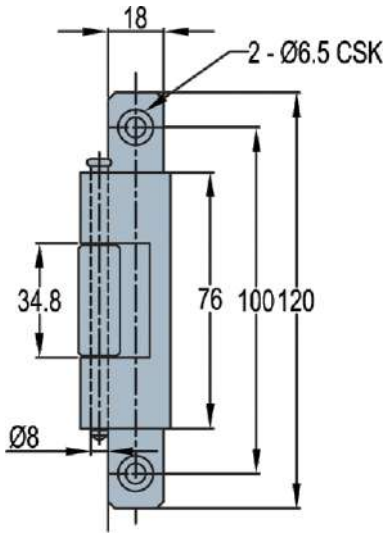


Available in SS 304 / 316



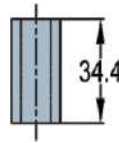
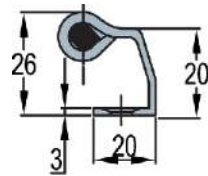
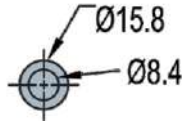
Hinges

GROUP INDIA
A MANUFACTURER



APH-26

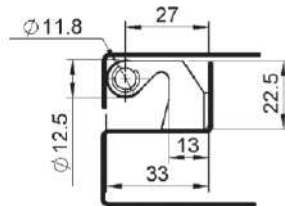
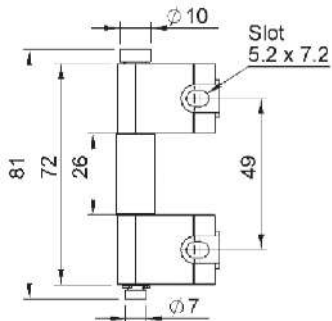
Weld Bush



Material Steel.

Finish Zinc Blue Plating

APH-27



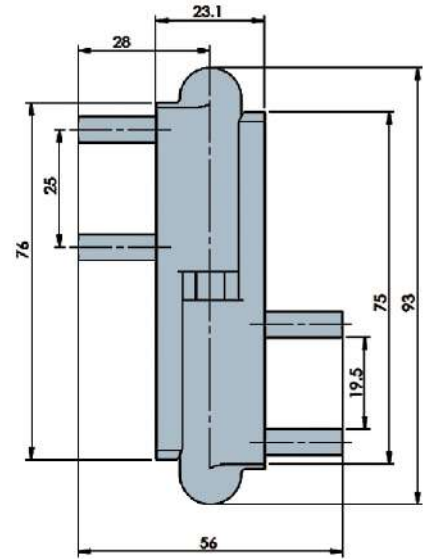
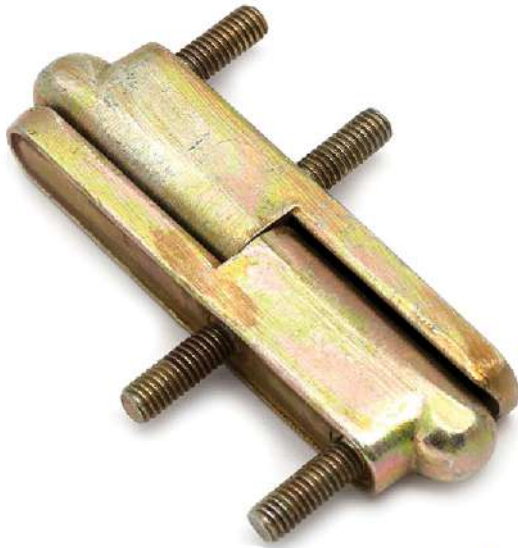
M. S. Pin
Blue Zinc Plating
Opening angle 110°



Hinges

GROUP INDIA
A MANUFACTURER

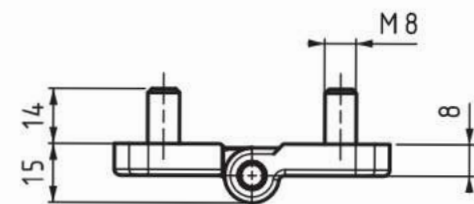
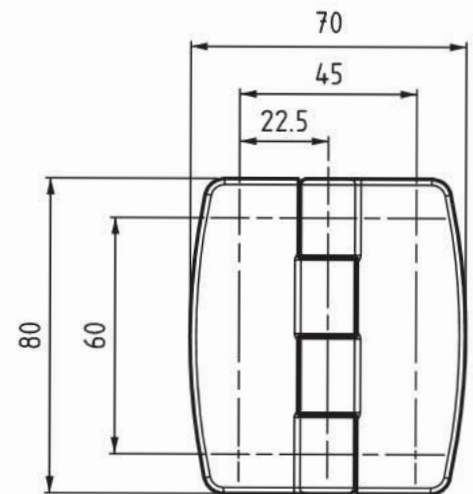
APH-28



Material Zinc Die Casting Body

Finish Zinc Blue / Yellow Plating

APH-29



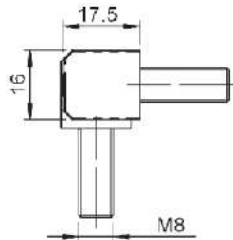
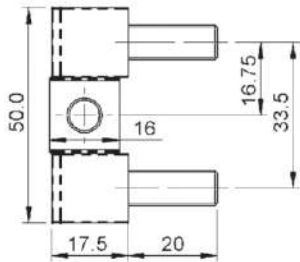
S.S. Pin
Black powder coated
Opening angle 180



Hinges

GROUP INDIA
A MANUFACTURER

APH-30



S.S.Pin
Black powder coated
Opening angle 180°

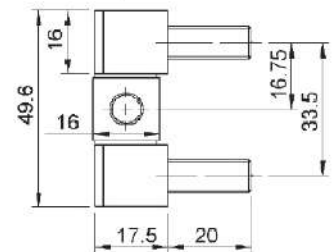
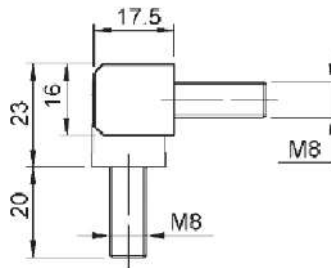


Available in SS 304 / 316

APH-31

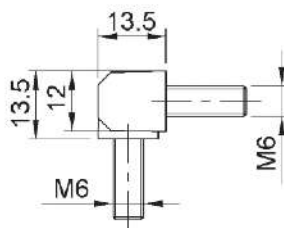
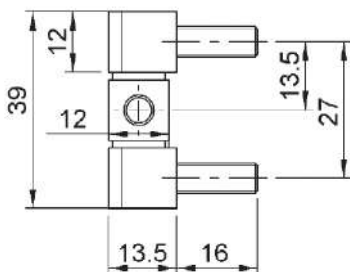


S.S.Pin
Black powder coated
Opening angle 180°



Available in SS 304 / 316

APH-32



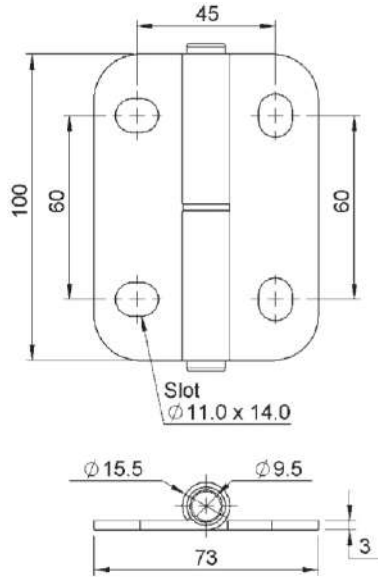
S.S.Pin
Black powder coated
Opening angle 180°



Available in SS 304 / 316



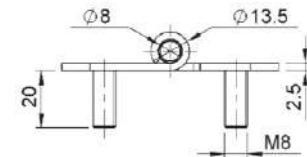
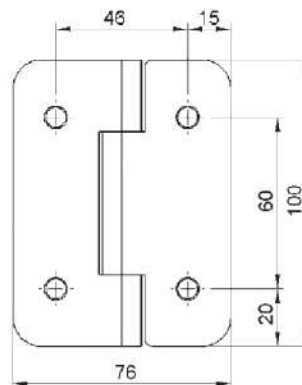
APH-33



S.S.Pin
Black powder coated
Opening angle 180°

Available in SS 304 / 316

APH-34



S.S.Pin
Black powder coated
Opening angle 180°

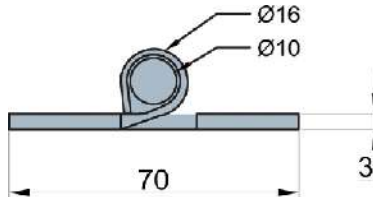
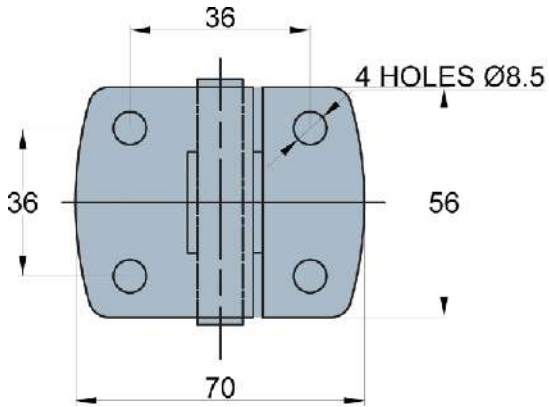
Available in SS 304 / 316



Hinges

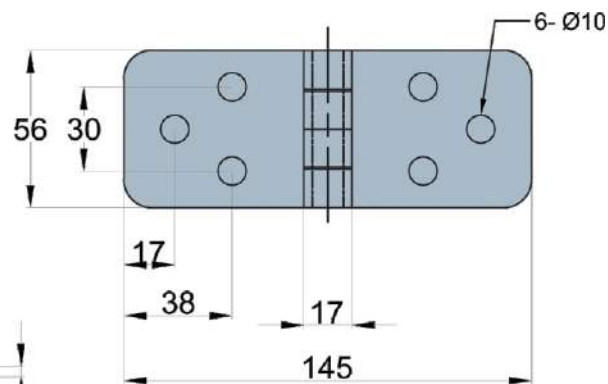
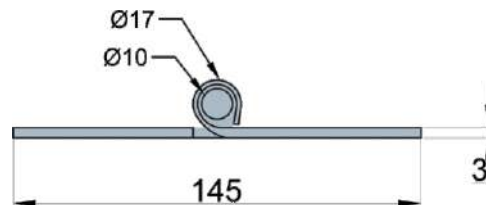
GROUP INDIA
A MANUFACTURER

APH-35



Material Stainless Steel

APH-36



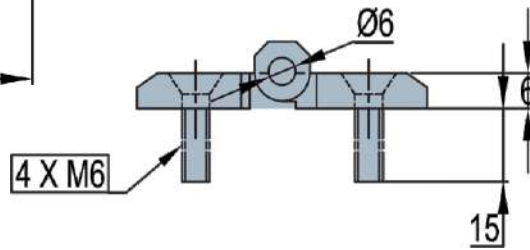
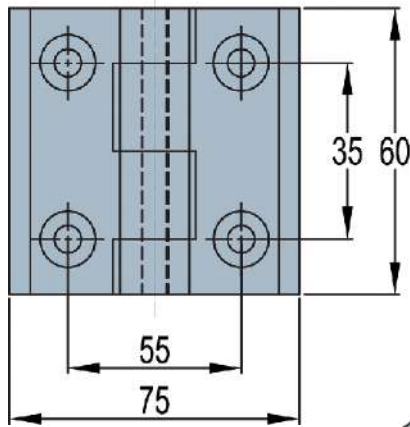
Material Steel.

Finish Zinc Blue Plating



GROUP INDIA
A MANUFACTURER

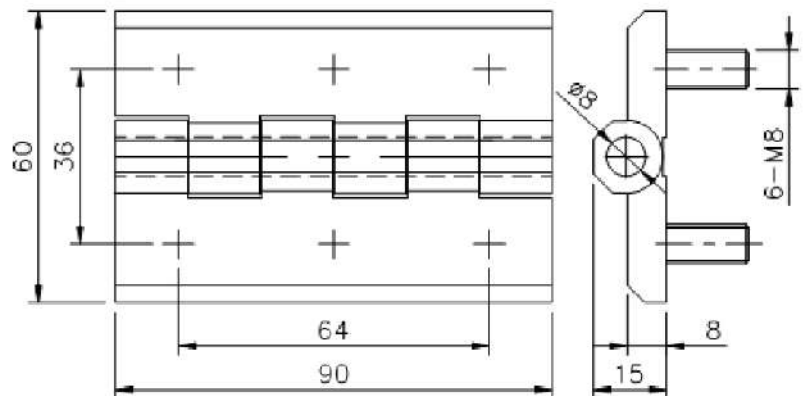
APH-37



Material Zinc Die Casting

Finish Black Powder Coating

APH-38

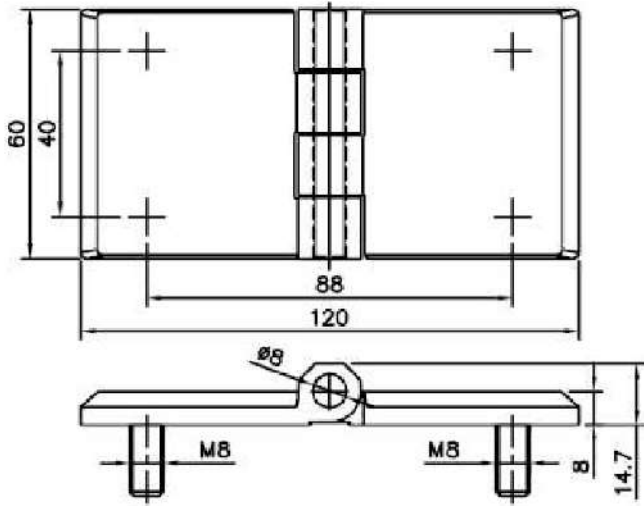


Material Zinc Die Casting

Finish Black Powder Coating



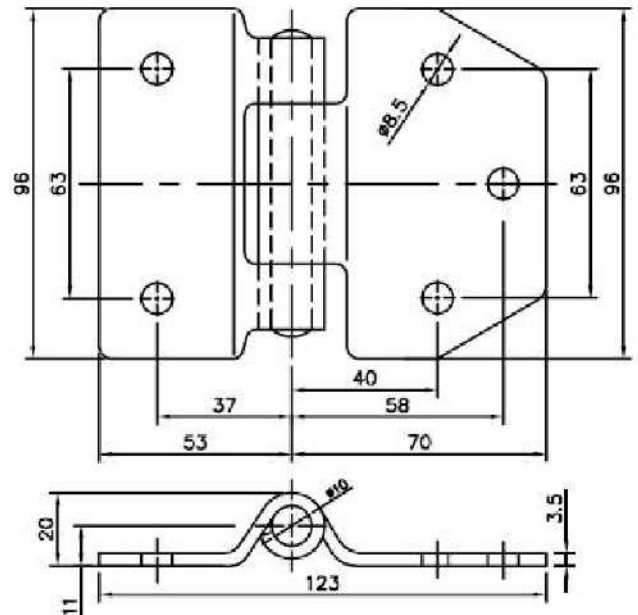
APH-39



Material Zinc Die Casting

Finish Black Powder Coating

APH-40



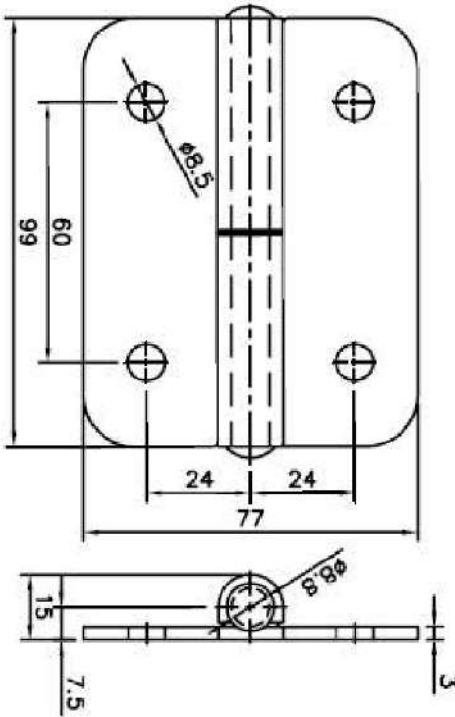
ITEM	Material	Finishing
180S10-SS	SS304	BRIGHT POLISHED
180S10-CS	CARBON STEEL	ZINC PLATED



Hinges

GROUP INDIA
A MANUFACTURER

APH-41

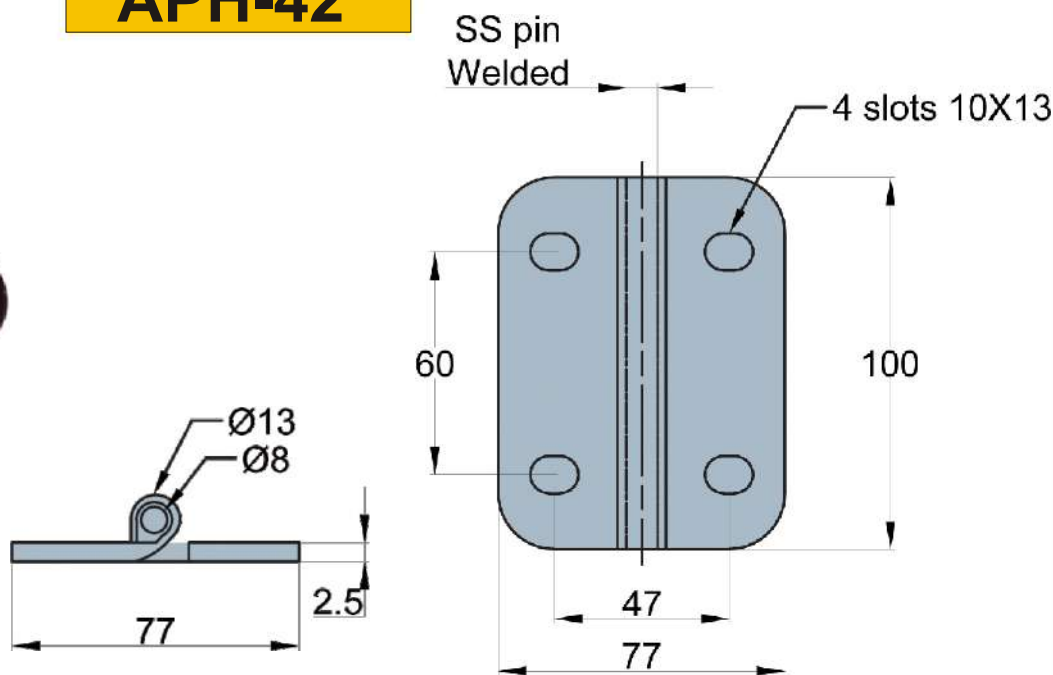


ITEM	Material	Finishing
180S04-SS-L/R	SS304	BRIGHT POLISHED
180S04-CS-L/R	CARBON STEEL	BLACK COATED

APH-42



Material Steel, Pin-Stainless Steel
Finish Black Powder Coating

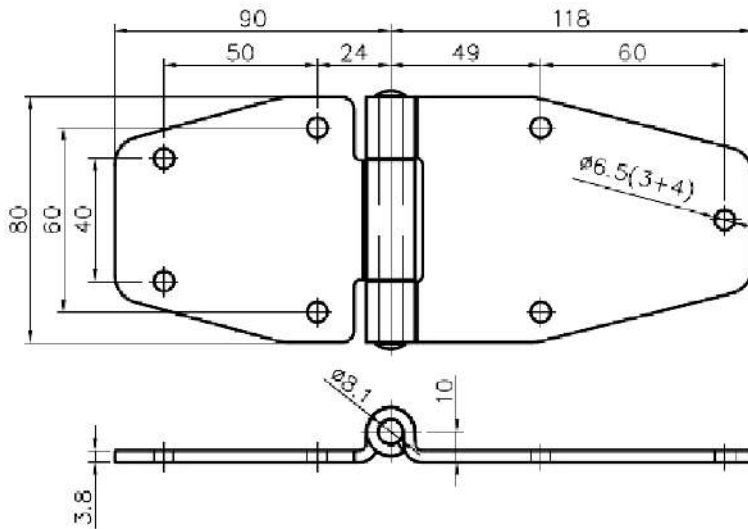




Hinges

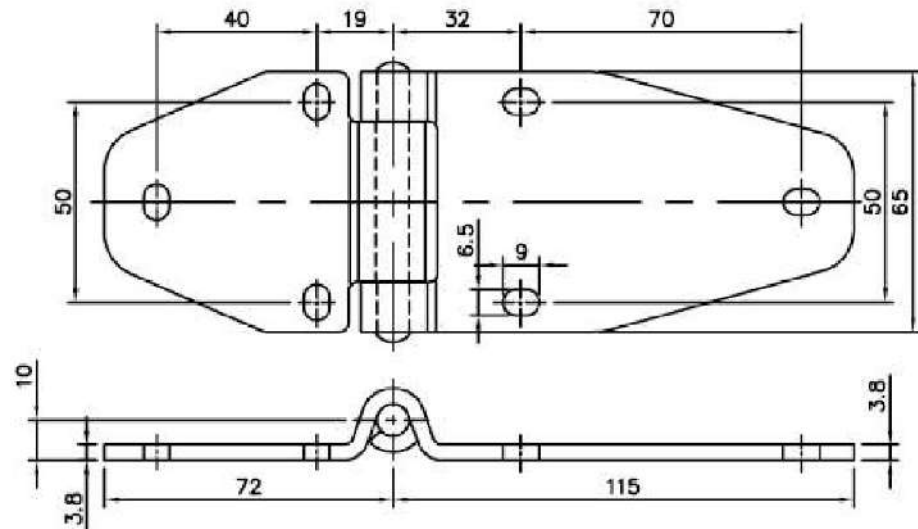
GROUP INDIA
A MANUFACTURER

APH-43



ITEM	Material	Finishing
180S17-SS	SS304	BRIGHT POLISHED
180S17-CS	CARBON STEEL	ZINC PLATED

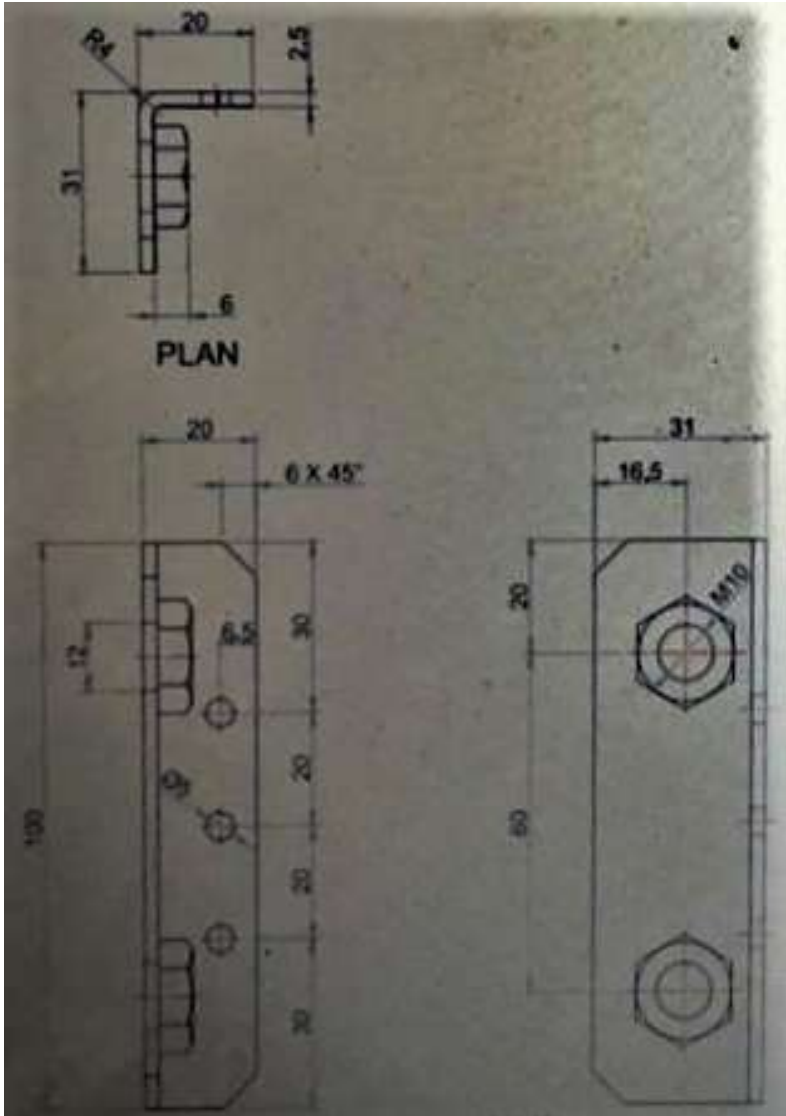
APH-44



ITEM	Material	Finishing
180S18-SS	SS304	BRIGHT POLISHED
180S18-CS	CARBON STEEL	BLACK COATED



APH- 45





Gasket

GROUP INDIA
A MANUFACTURER

APGK-01

Foam Gasket with single side adhesive

Thickness available: 2mm to 10mm

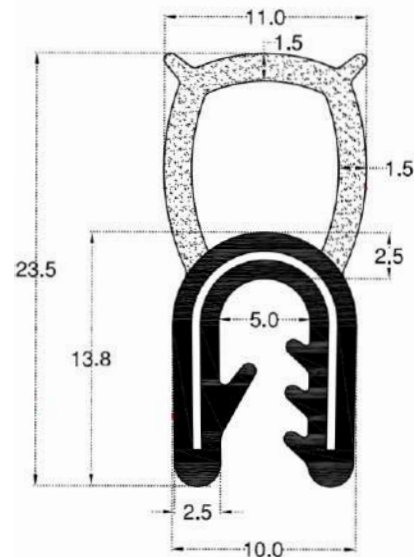
Width 500mm



Flat Type Foam Gasket



APGK-02



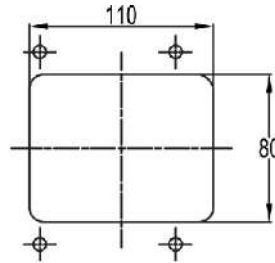
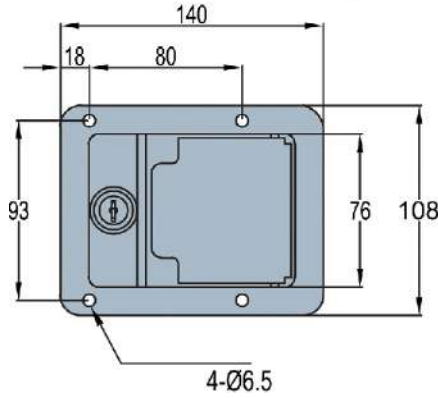
Material EPDM SOLID & EPDM SPONGE



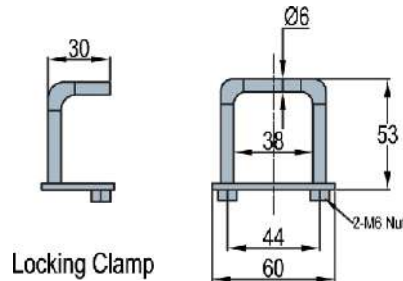
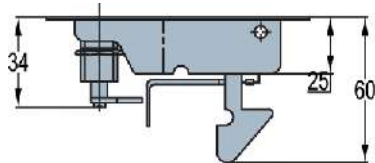
Canopy Locks

GROUP INDIA
A MANUFACTURER

APCN-01



CUT OUT



Locking Clamp



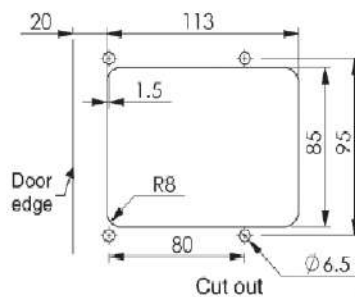
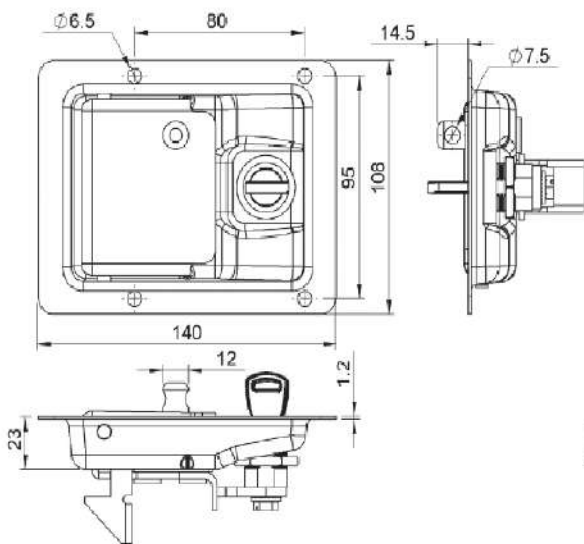
Material Steel, Nickel Plating-cam.

Finish Black Powder Coating



Material Stainless Steel , Bracket-Steel.

APCN-02



Door edge

Cut out



Material Steel, Nickel Plating-cam.

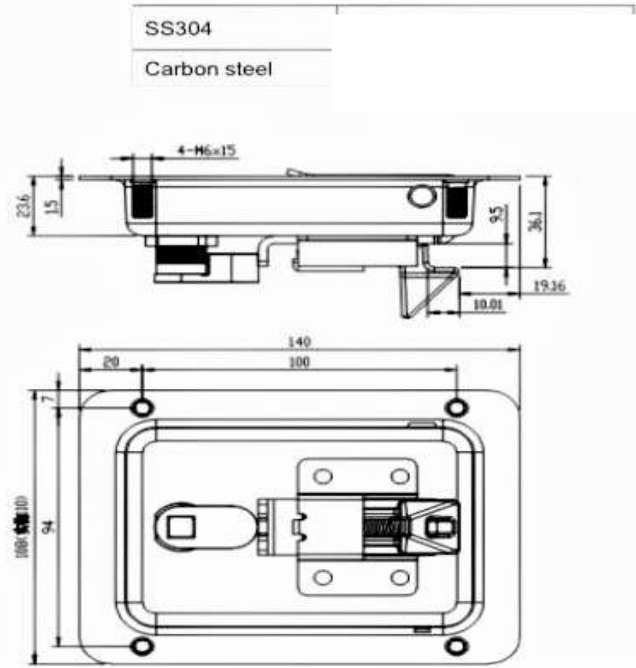
Finish Black Powder Coating



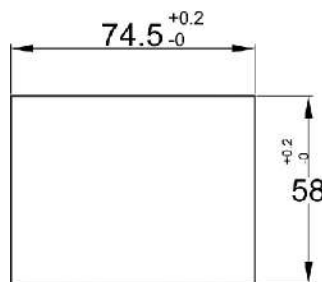
Canopy Locks

GROUP INDIA
A MANUFACTURER

APCN-03



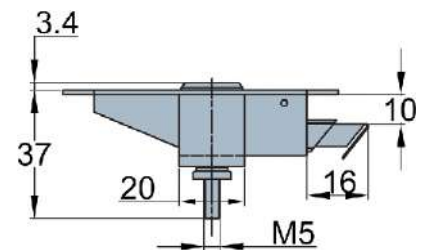
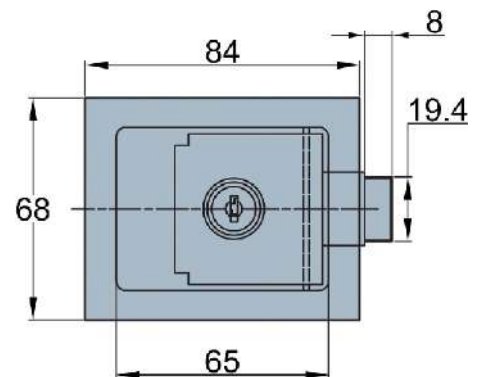
APCN-04



CUT OUT

Material Steel

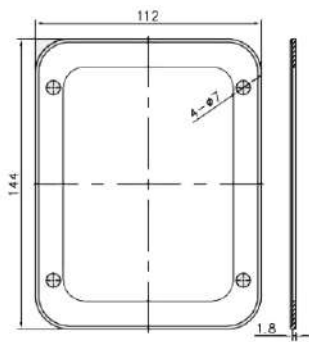
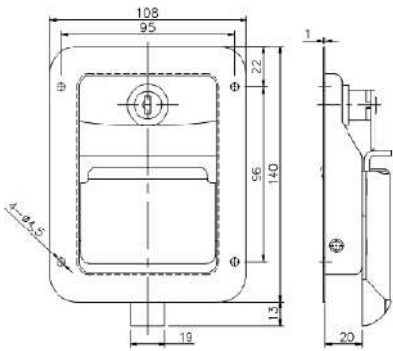
Finish Black Powder Coated





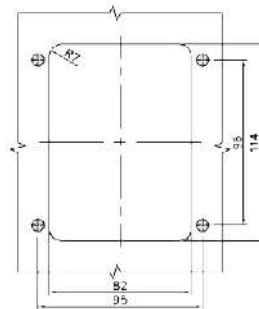
Canopy Locks

GROUP INDIA
A MANUFACTURER

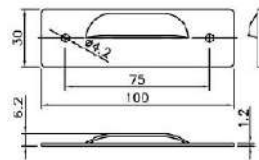


Gasket

APCN-05



Panel Drilling Dimensions



Striker (optional)

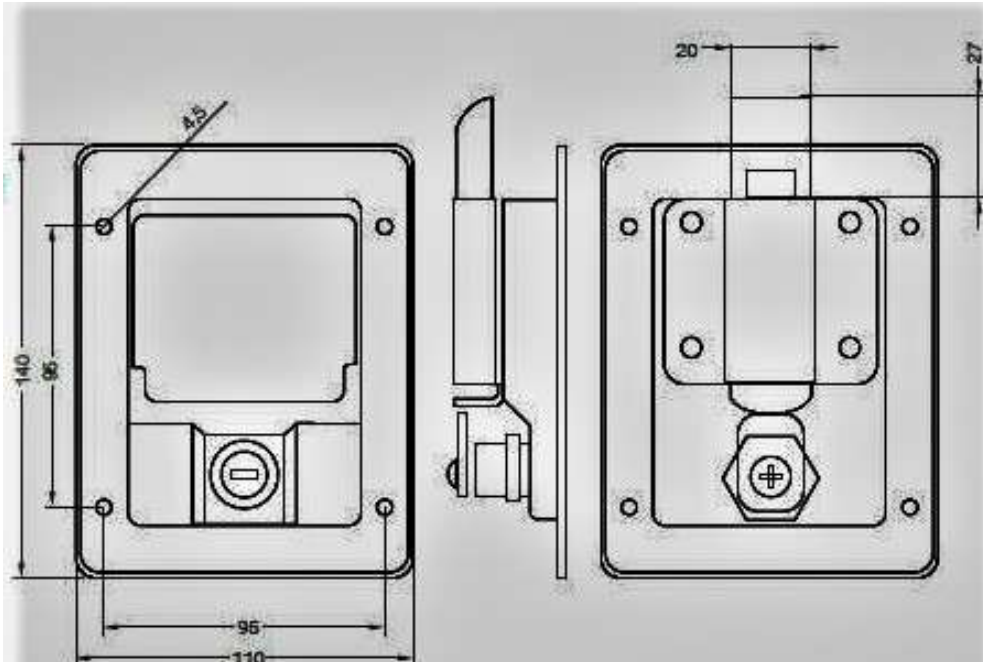


Material Steel, Nickel Plating-cam.

Finish Black Powder Coating



APCN-06

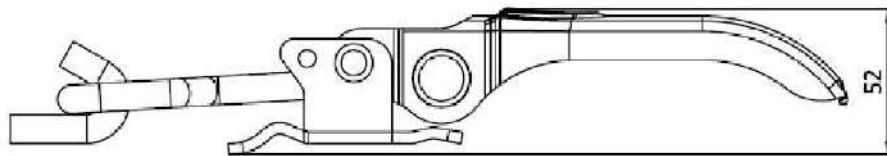
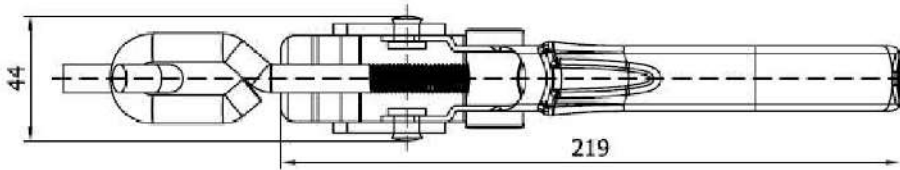




Canopy Locks

GROUP INDIA
A MANUFACTURER

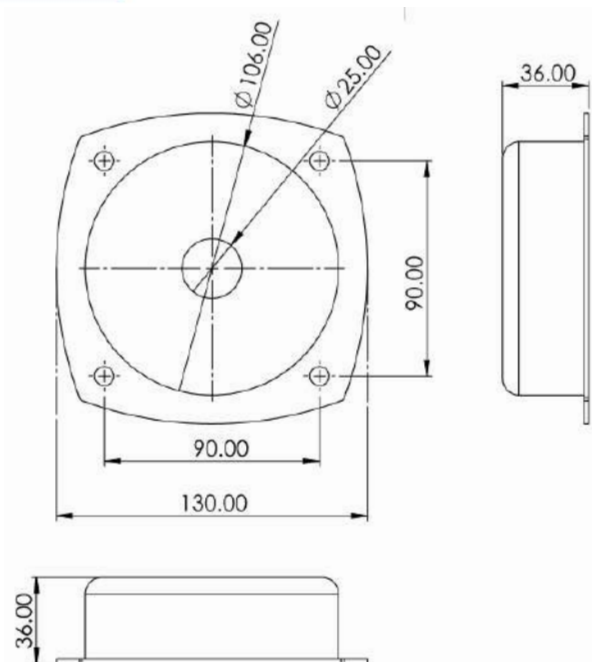
ACPN-07



Material and finishing:
Carbon steel zinc plated

Length	min. 240	max. 270
--------	----------	----------

ACPN-08

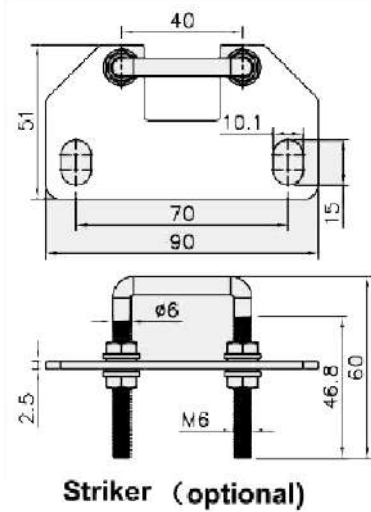
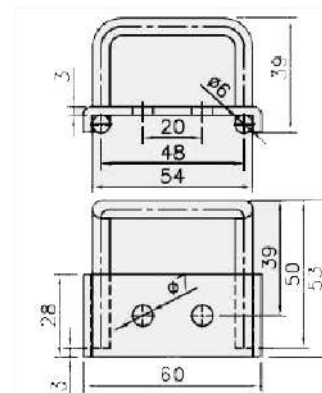
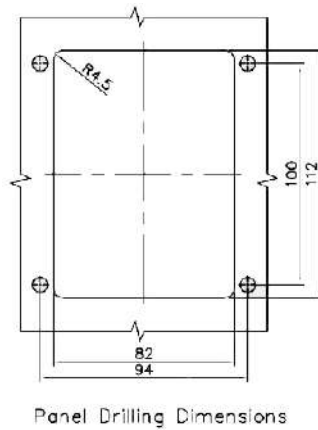
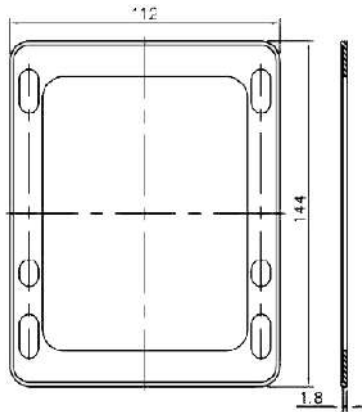
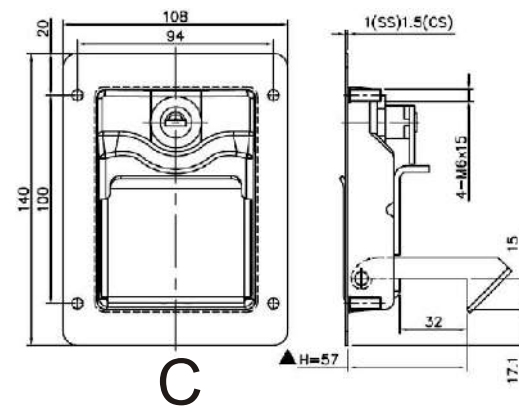
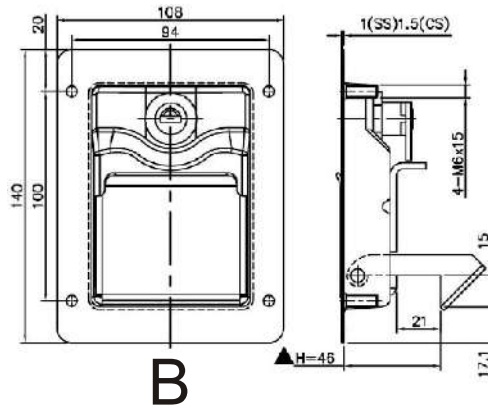
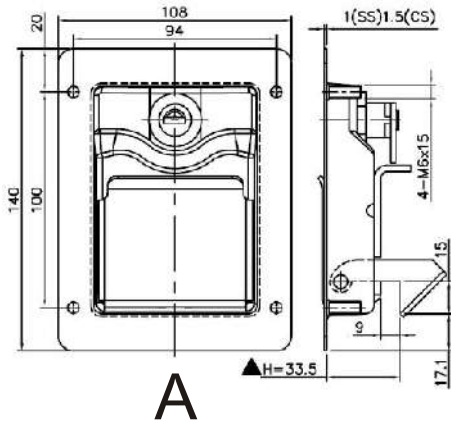




Canopy Locks

GROUP INDIA
A MANUFACTURER

APCN-09



ITEM	Material	Finishing
A-SS	SS 304 T=1.1 mm	BRIGHT POLISHED
B-SS		
C-SS		
A-CS	CARBON STEEL T=1.5 mm	BLACK POWDER COATED
B-CS		
C-CS		

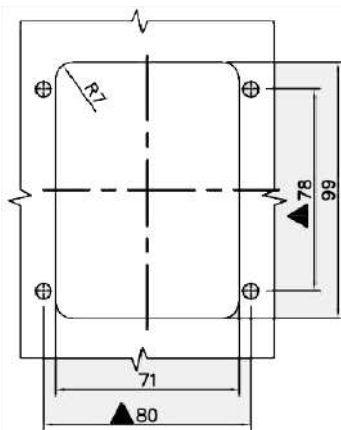
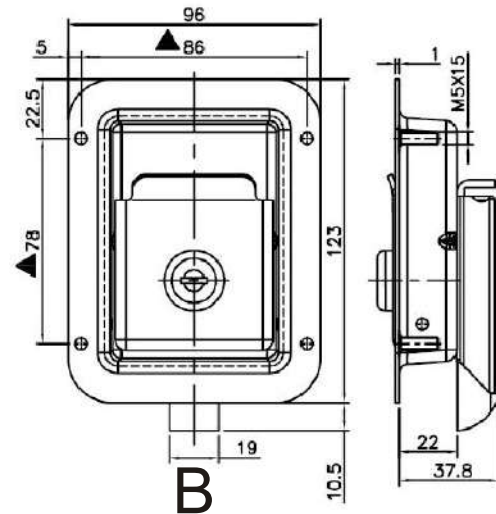
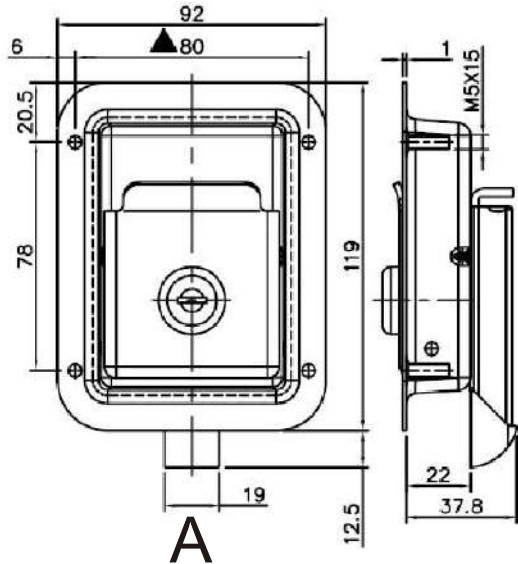




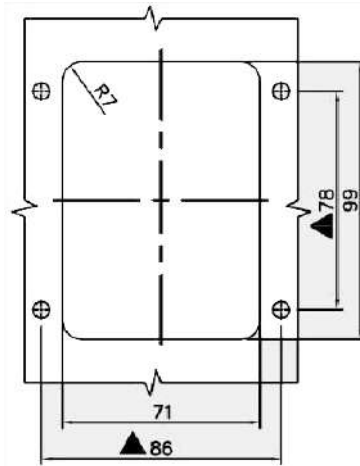
Canopy Locks

GROUP INDIA
A MANUFACTURER

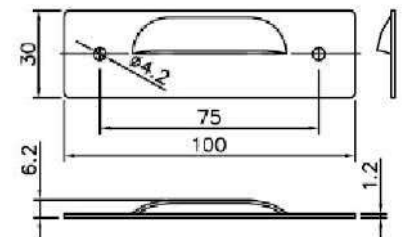
APCN-10



A
Panel Drilling Dimensions



B
Panel Drilling Dimensions



Striker (optional)



ITEM	Material	Finishing
A-SS	SS 304 T=1.1 mm	BRIGHT POLISHED
B-SS		
A-CS	CARBON STEEL T=1.2 mm	BLACK POWDER COATED
B-CS		

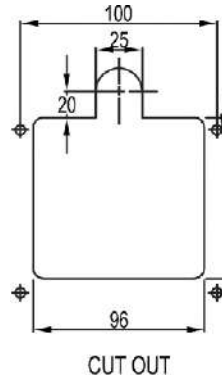
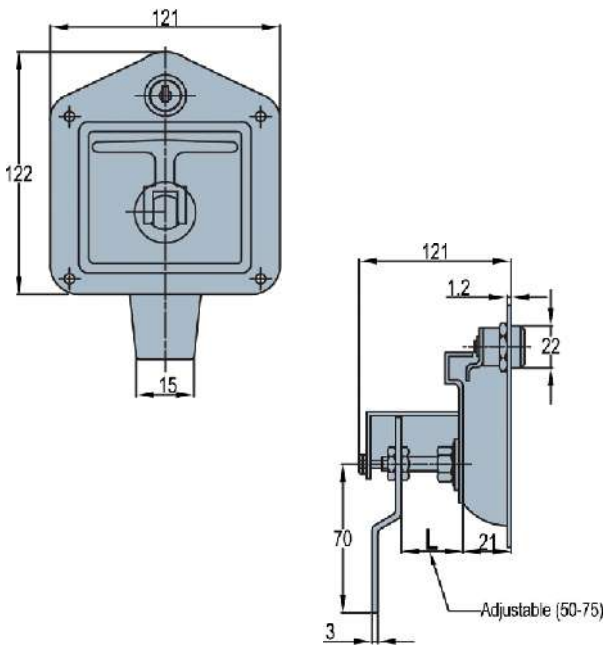


AN ISO CERTIFIED Co.

Canopy Locks

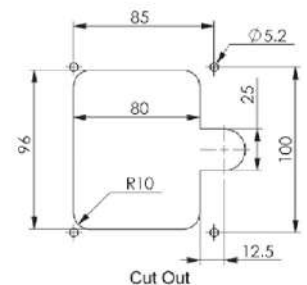
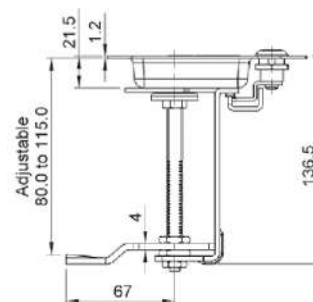
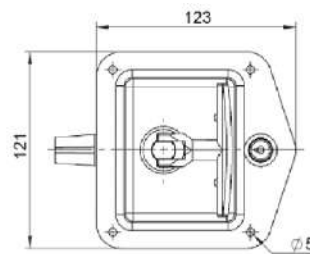
GROUP INDIA
A MANUFACTURER

APCN-08



Material Zinc Die - Handle, Stainless Steel-Body ,
Steel-Cam.

APCN-09

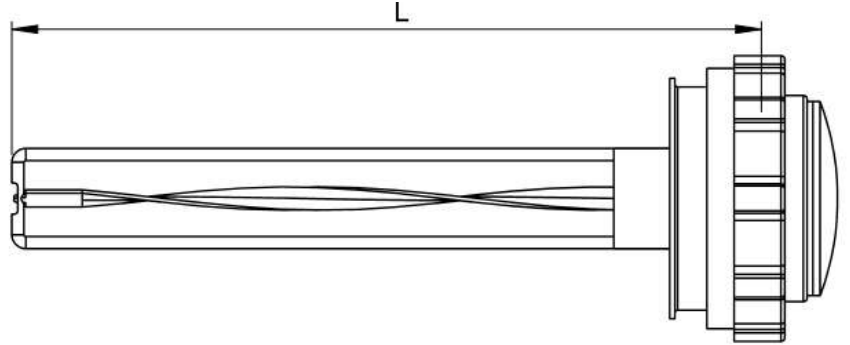




Canopy Locks

GROUP INDIA
A MANUFACTURER

APCN-12



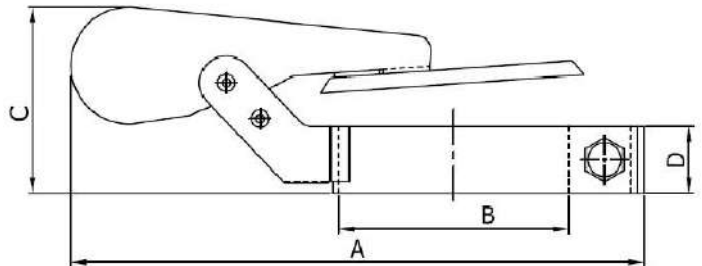
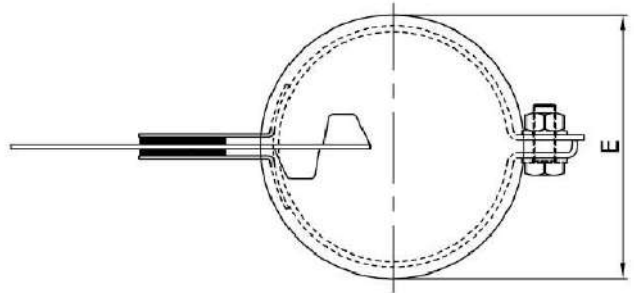
L	150
	200



SPECIAL

APCN-13

ITEM NO	SPECIFICATION				
	A	B	C	D	E
60	213	Φ60	76	25	Φ75
76	219	Φ76	76	25	Φ89
90	242	Φ90	84	30	Φ104
103	256	Φ103	85.5	30	Φ118



Material and finishing:
Carbon steel with black powder coated



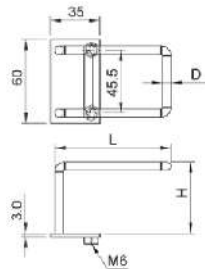
Canopy Locks

GROUP INDIA
A MANUFACTURER

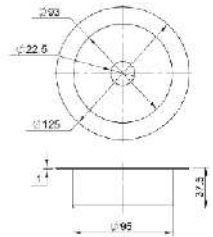
APCN-14



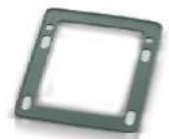
L	H	D
32.0	46	Ø6
82.5	51	Ø6
22	47	Ø6
23	56	Ø6
48	38	Ø6
45	46	Ø6



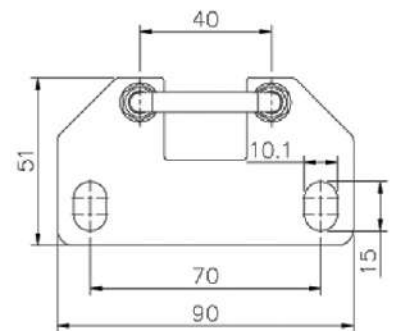
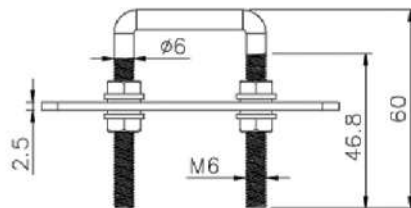
APCN-15



APCN-16



APCN-17

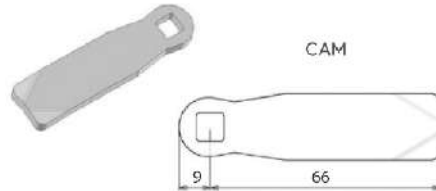
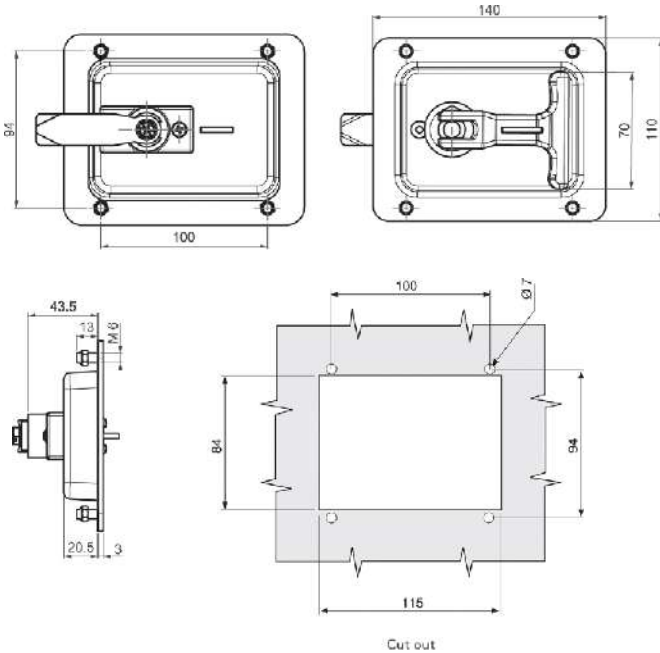




Canopy Locks

GROUP INDIA
A MANUFACTURER

APCN-18



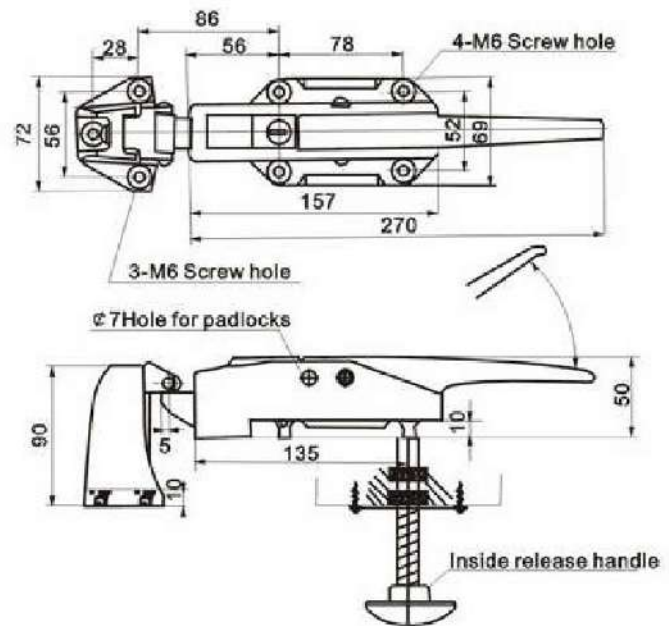
APCN-19



Material: Zinc alloy casting

Finishing: Chrome plated

Low type striker is available



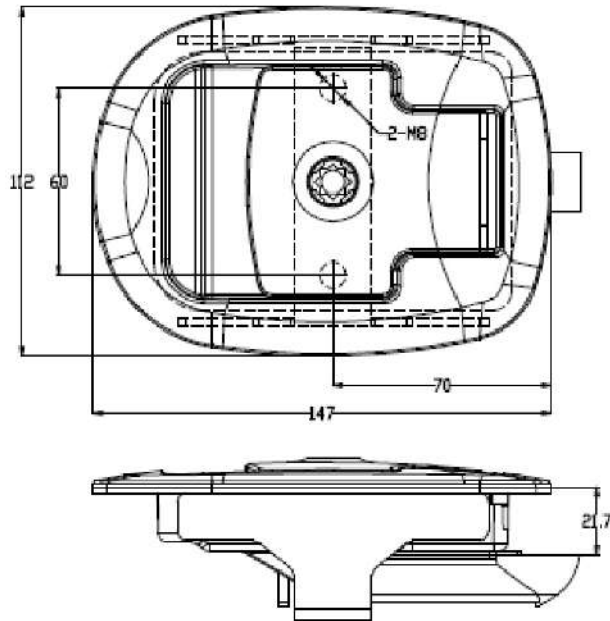


AN ISO CERTIFIED Co.

Canopy Locks

GROUP INDIA
A MANUFACTURER

APCN-20

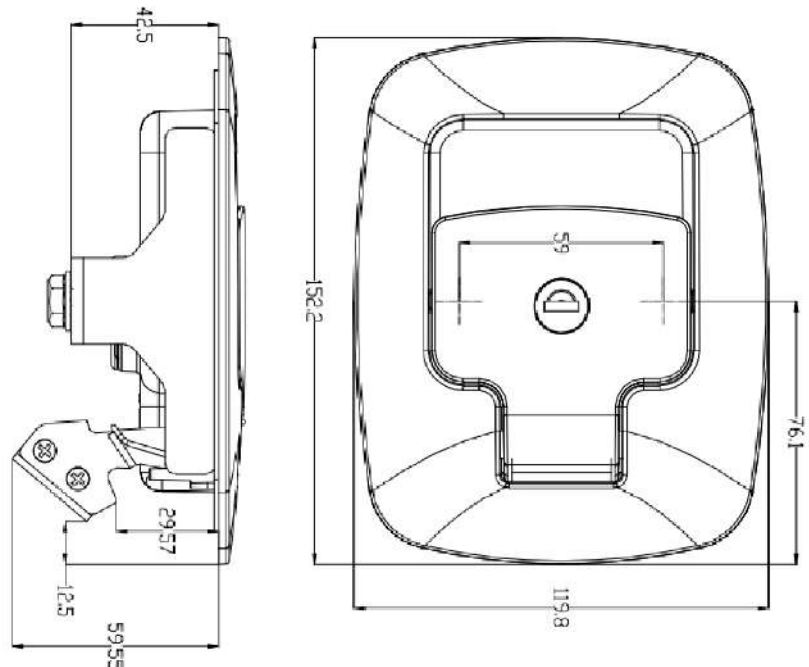


Material:- Polyamide & Steel

APCN-21



Material:- Polyamide & Steel

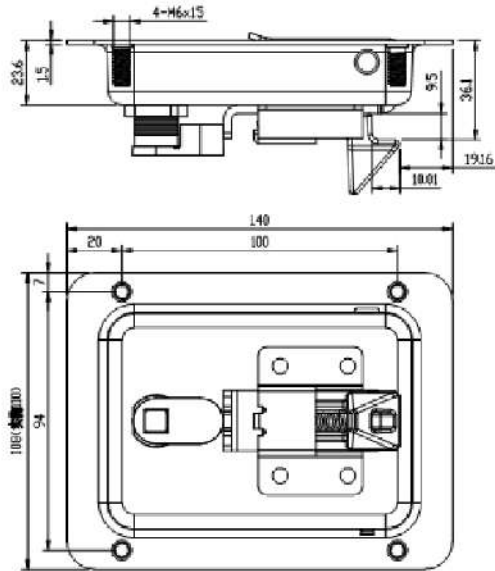




Canopy Locks

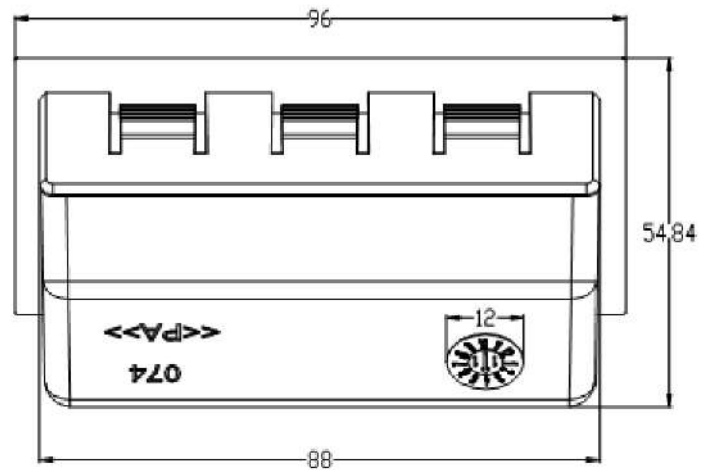
GROUP INDIA
A MANUFACTURER

APCN-22



ITEM	Material	Finishing
SS	SS304	BRIGHT POLISHED
CS	CARBON STEEL	BLACK COATED

APCN-23



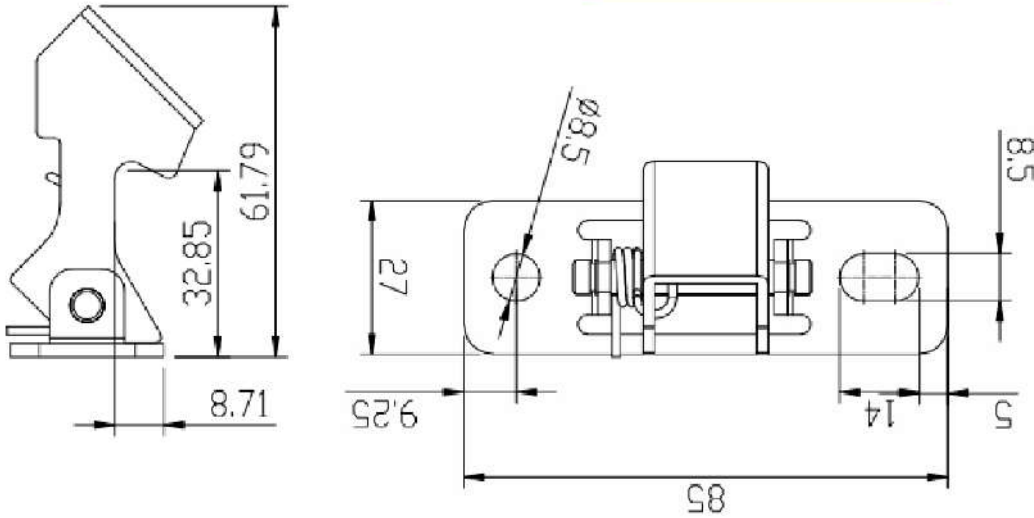
Material	POLYIMIDE
----------	-----------



Canopy Locks

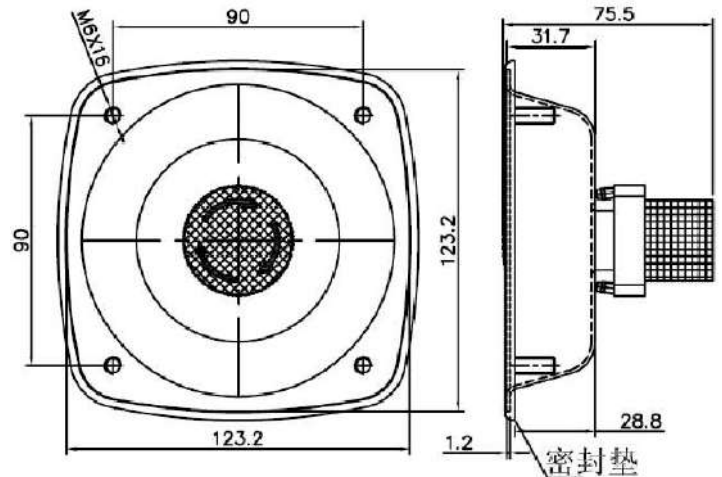
GROUP INDIA
A MANUFACTURER

APCN-24



Material	SS304
	CARBON STEEL

APCN-25



ITEM	Material	Finishing
SS	SS304	BRIGHT POLISHED
CS	CARBON STEEL	BLACK COATED



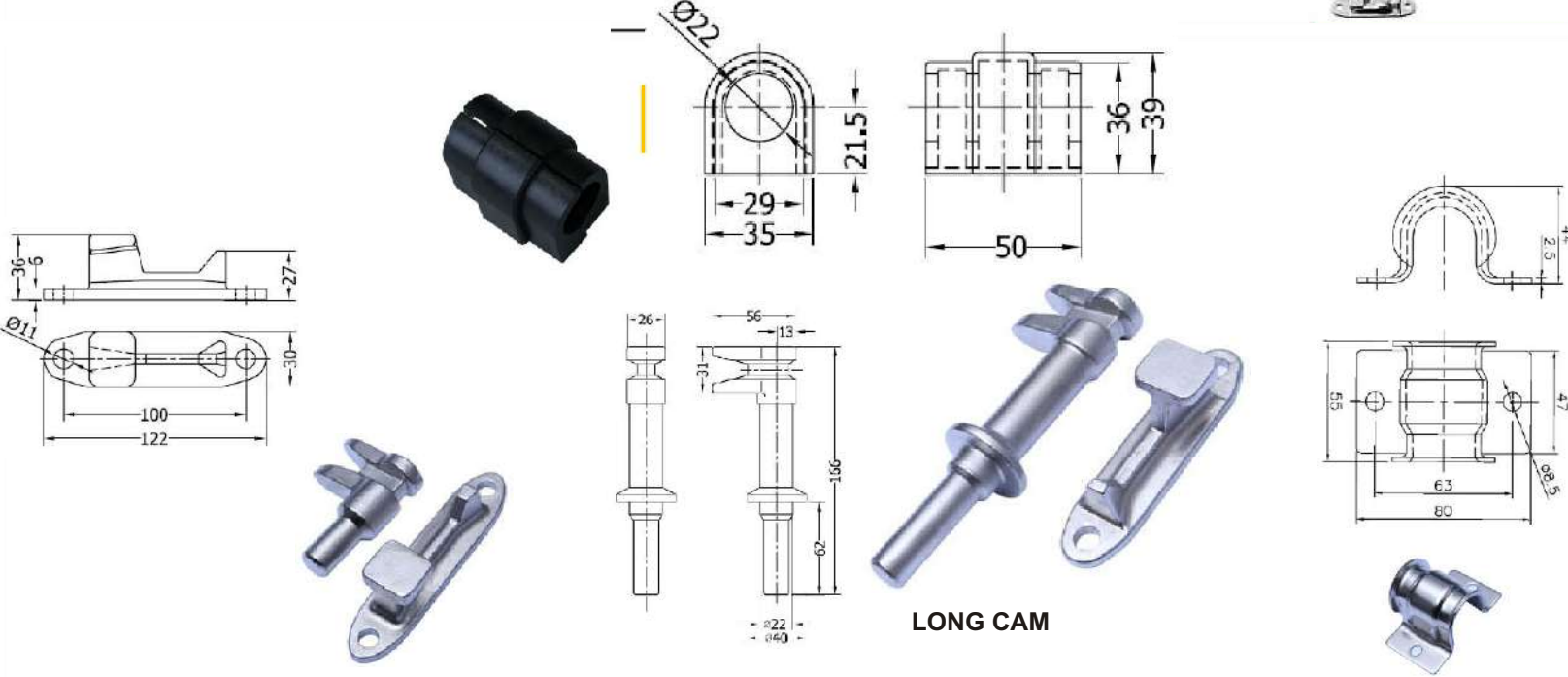
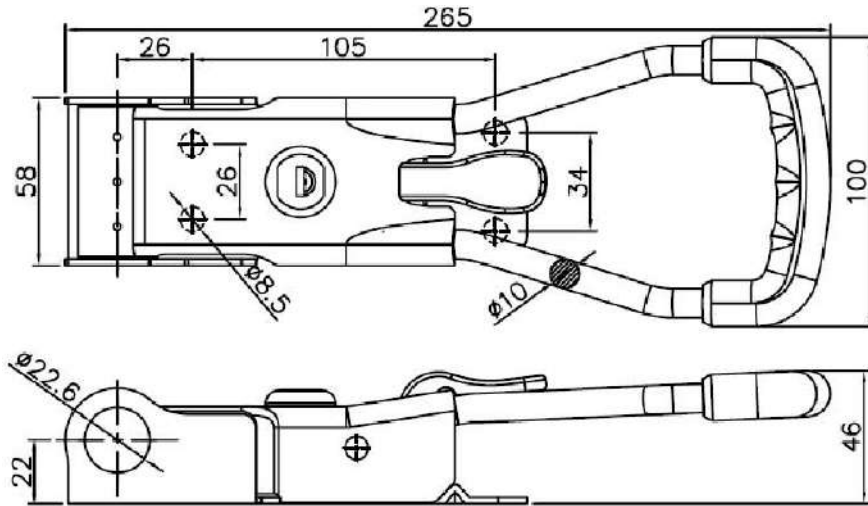
AN ISO CERTIFIED Co.

Canopy Locks

GROUP INDIA
A MANUFACTURER

APCN-26

ITEM	Material	Finishing
SS	SS304	BRIGHT POLISHED
CS	CARBON STEEL	ZINC PLATED



KEEPER

Φ22 Keeper 8303
Φ22 Long Cam 8405

LONG CAM

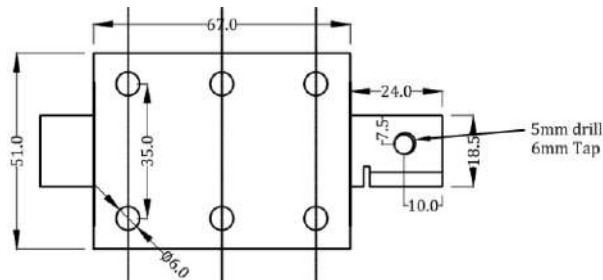
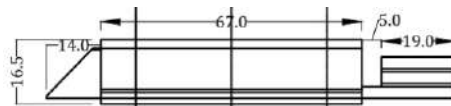
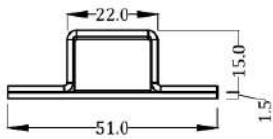
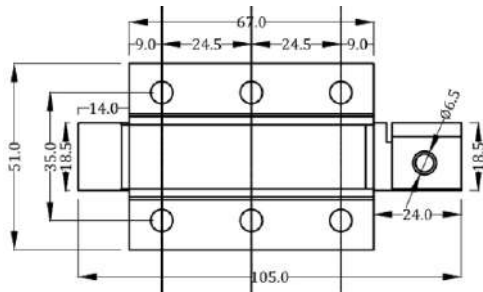
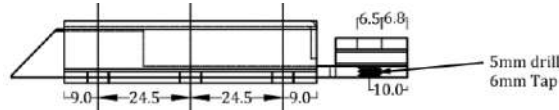
Material and finishing:
Stainless steel 304 with electropolishing
Carbon steel zinc plated



Canopy Locks

GROUP INDIA
A MANUFACTURER

APCN-27



Material	M.S
Finish	Powder Coated





Castel Lock

GROUP INDIA
A MANUFACTURER

APC-01

Key



Aluminium Box Type With Square Rod A to Z

APC-02

Key



Zinc Round Rod Type A to Z



AN ISO CERTIFIED Co.

Castel Lock

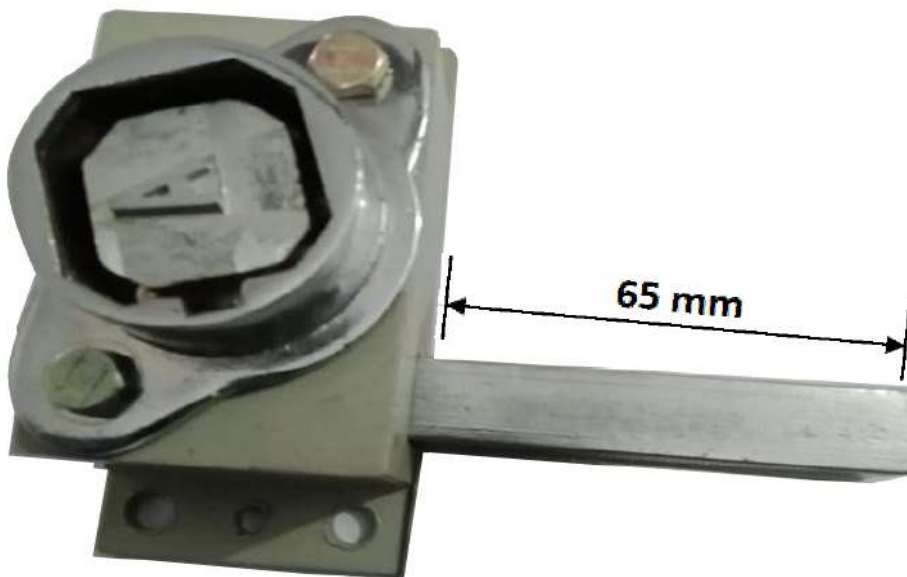
GROUP INDIA
A MANUFACTURER

APC-03



Brass Square Rod Type A to Z

APC-04





AN ISO CERTIFIED Co.

Castel Lock

GROUP INDIA
A MANUFACTURER

APC-05



Zinc Casted Square Base With Round Rod Type A to Z



APOA-01



Cut out size: - 92 X 92 mm

View area: - 90 X 90 mm

Material: - Polycarbonate

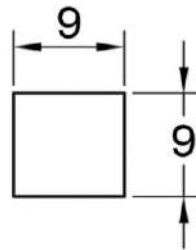
IP Projection Gasket: - EPDM

IP Projection Class: - IP 66

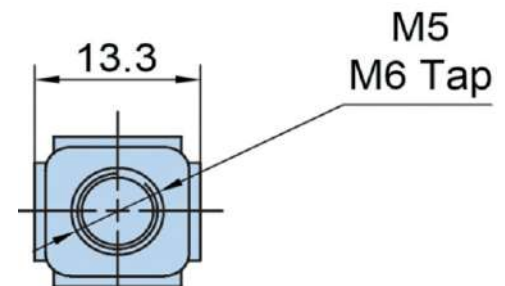
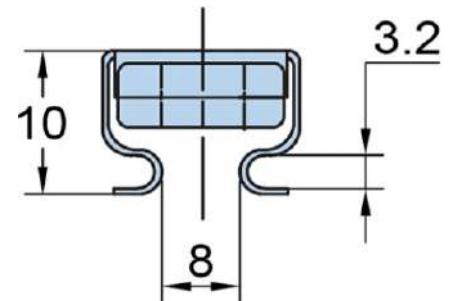
Provision for screw fitting is also provided

Suitable for 1.5 and 2 mm Sheet

APOA-02



CUT OUT

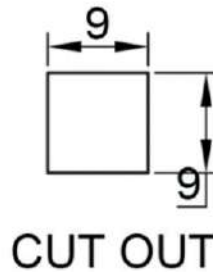
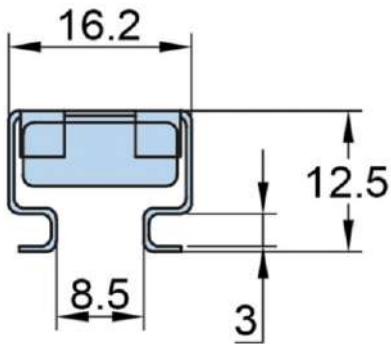
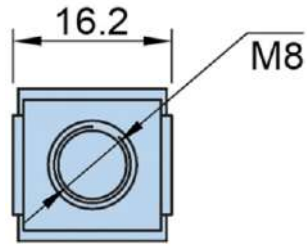




Other Accessories

GROUP INDIA
A MANUFACTURER

APOA-03



Material	Steel Nut, Spring Steel-Cage
Finish	Zinc Blue / Yellow Plating

APOA-04

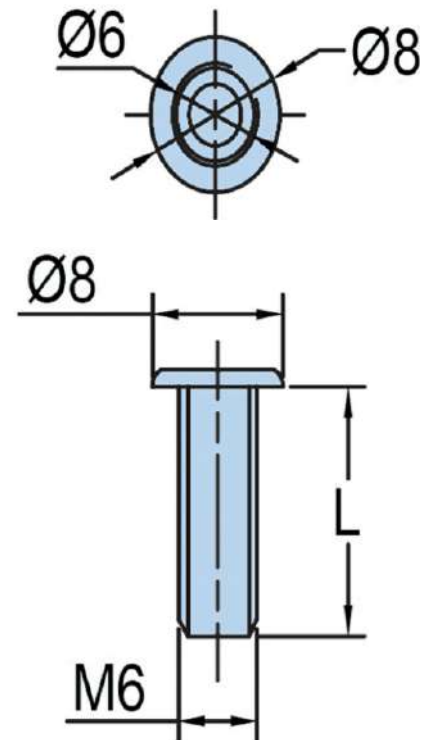


Length (L) on Request

AVAILABLE SIZE

M4
M5
M6
M8

Material	Steel (SS on Request)
Finish	Copper Plating

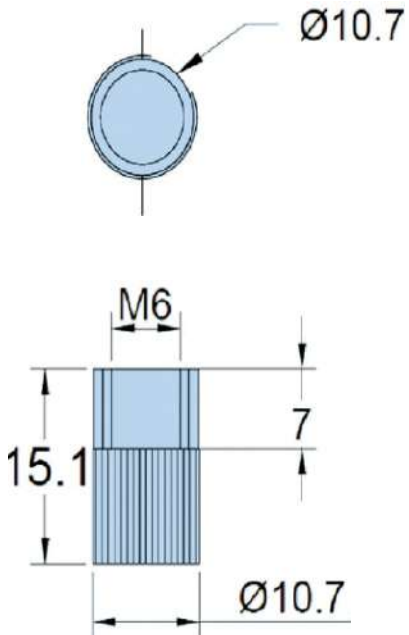




Other Accessories

GROUP INDIA
A MANUFACTURER

APOA-05



- | |
|-----|
| M5 |
| M6 |
| M8 |
| M10 |

Stainless Steel
On Request

Available Size



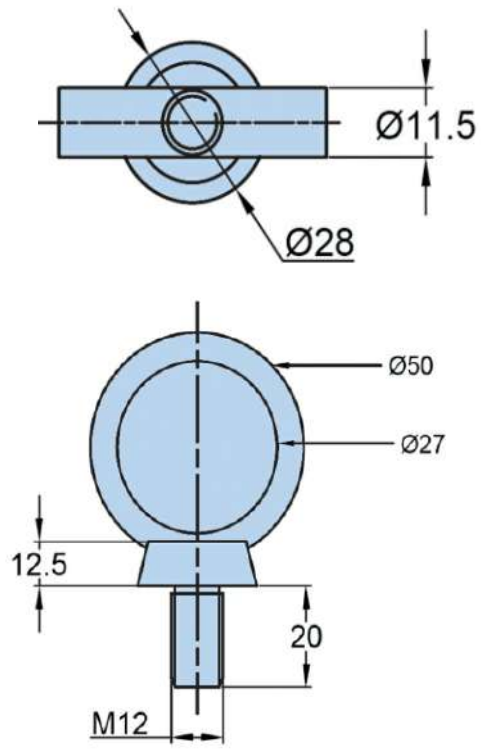
Material	Steel
Finish	Zinc Blue Plating

APOA-06



Available
On Request

- | |
|-----|
| M10 |
| M12 |
| M16 |
| M20 |
| M22 |

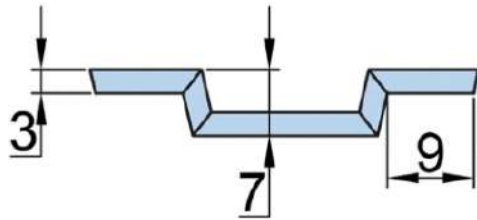


Material	Steel Forged, SS, on Requested
Finish	Zinc Yellow / Blue Plating

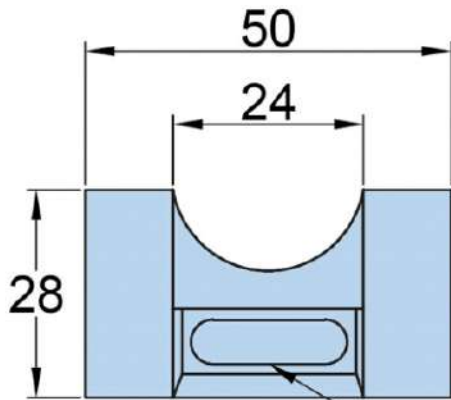


Other Accessories

GROUP INDIA
A MANUFACTURER



APOA-07

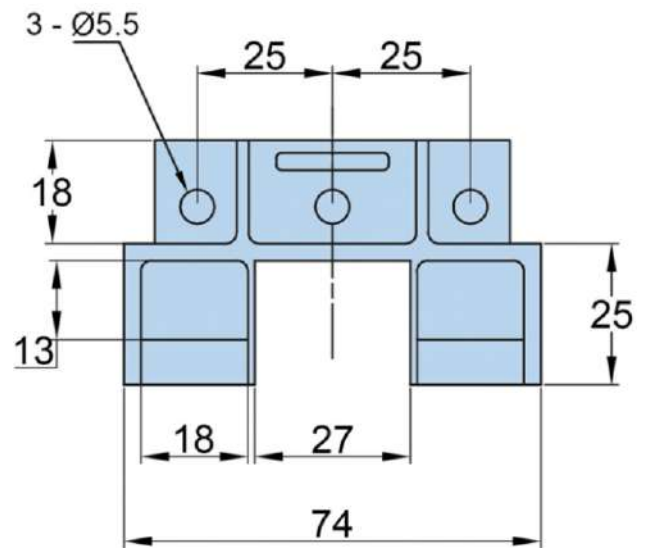
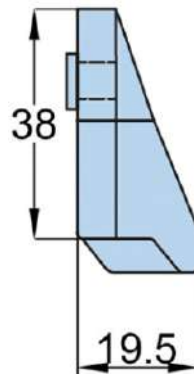


18.5X6 Ablong



Material	Zinc Die Casting
-----------------	------------------

APOA-08



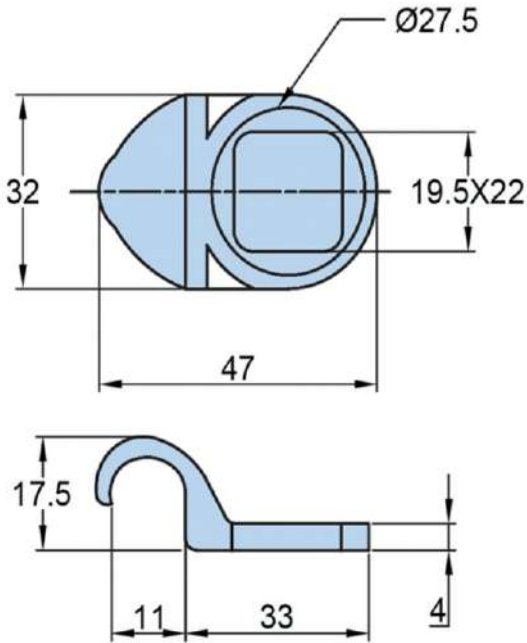
Material	Zinc Die Casting
-----------------	------------------



Other Accessories

GROUP INDIA
A MANUFACTURER

APOA-09

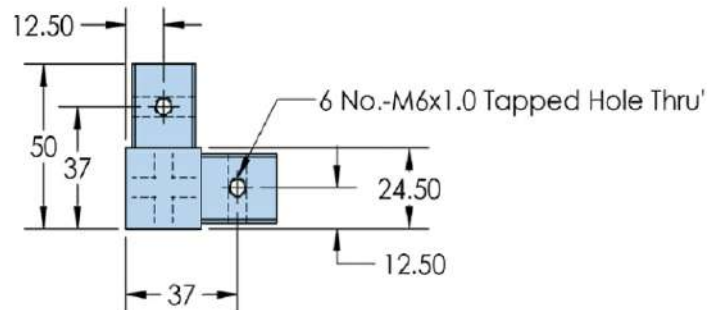
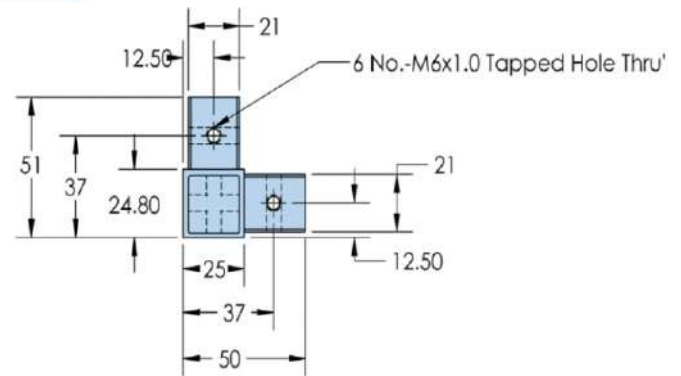


Material	PA 6 GF - 30
-----------------	--------------

APOA-10



Material	Aluminium Die Casting
-----------------	-----------------------





Panel Box

GROUP INDIA
A MANUFACTURER

APPB-01

Submersible Starter (Manual)



Available

1.5 HP

2.0 HP

3.0 HP (3Phase)



Material	M.S 0.9mm Box
Finish	Powder Coated
Starting Conductor	100-120 MFO
Running Conductor	50 MFO

APPB-02

Submersible Starter (Auto off)



Available

1.5 HP

2.0 HP

3.0 HP (3Phase)



Material	M.S 0.9mm Box
Finish	Powder Coated
Starting Conductor	100-120 MFO
Running Conductor	50 MFO

SAVE WATER



Panel Box

GROUP INDIA
A MANUFACTURER

APPB-03

Submersible Starter (Fully Automatic)

Auto ON/OFF

Available

1.5 HP

2.0 HP

3.0 HP (3Phase)



SAVE WATER

Material	M.S 0.9mm Box
Finish	Powder Coated
Starting Conductor	100-120 MFO
Running Conductor	50 MFO

IP-56

APPB-04

BUS Bar Box

Ampere

32

63

100

200



Material	M.S 0.9mm Box
Finish	Powder Coated
Terminal	Cu, Tin Coated



Panel Box

GROUP INDIA
A MANUFACTURER

APPB-05

Double Door MCB Box (S.T. Model)

Way
4
6
8
10
12
16



Material	M.S
Finish	Powder Coated

APPB-06



Material	M.S
Finish	Powder Coated

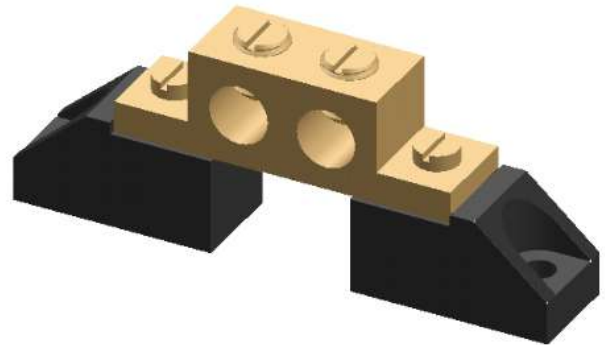


Terminals & Links

GROUP INDIA
A MANUFACTURER

APTL-01

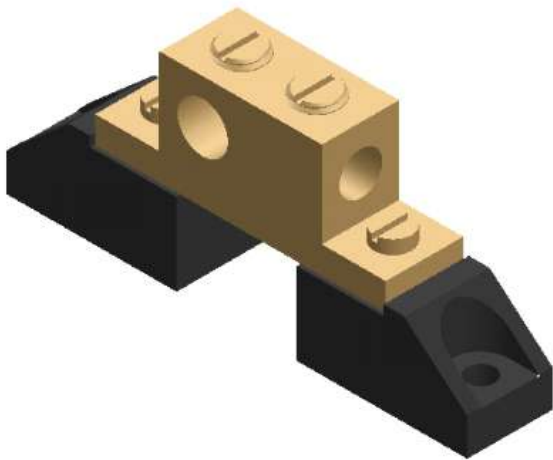
Brass Terminal 2 Way



Material | Brass & Polyamide Base

APTL-02

Brass Terminal 2 Way (1 On Side)



Material | Brass & Polyamide Base

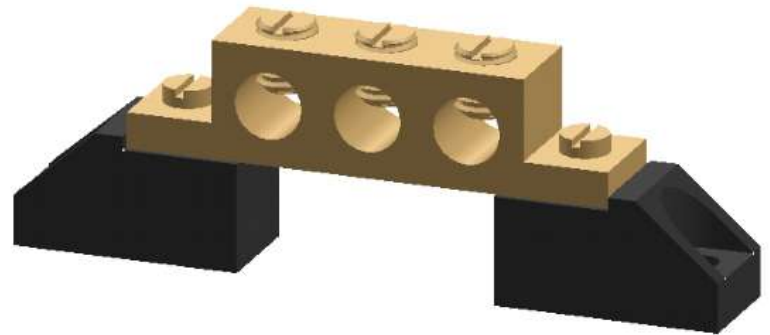


Terminals & Links

GROUP INDIA
A MANUFACTURER

APTL-03

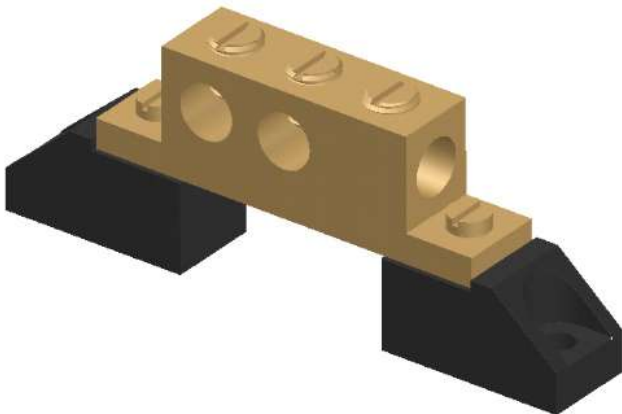
Brass Terminal 3 Way



Material | Brass & Polyamide Base

APTL-04

Brass Terminal 3 Way (1 On Side)



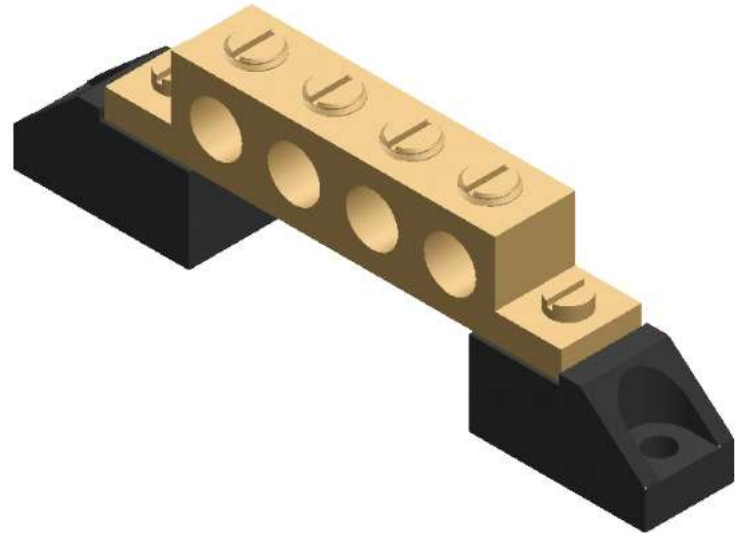
Material | Brass & Polyamide Base



Terminals & Links

GROUP INDIA
A MANUFACTURER

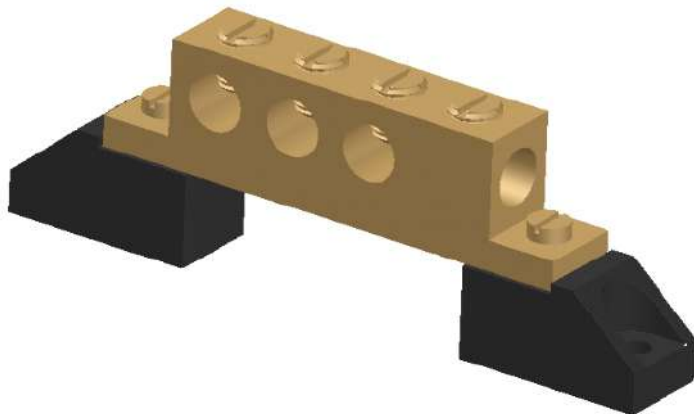
APTL-05



Brass Terminal 4 Way

Material | Brass & Polyamide Base

APTL-06



Brass Terminal 4 Way (1 On Side)

Material | Brass & Polyamide Base

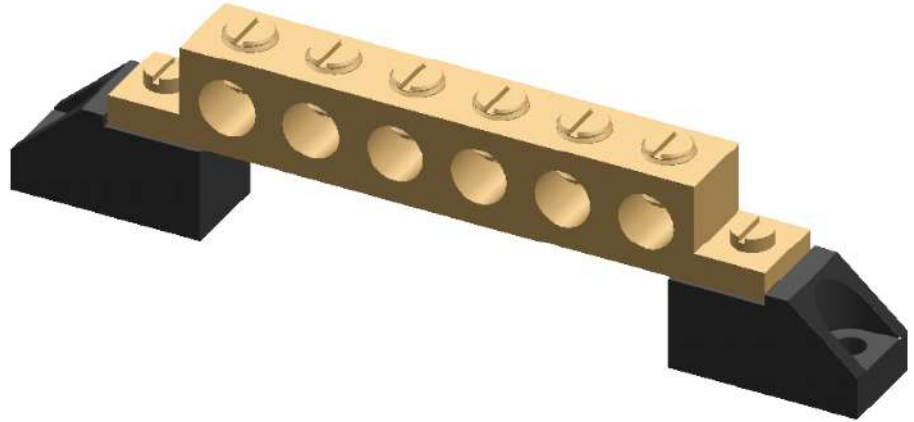


Terminals & Links

GROUP INDIA
A MANUFACTURER

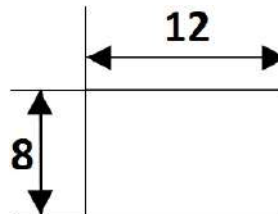
APTL-07

Brass Terminal 6 Way



Material	Brass & Polyamide Base
----------	------------------------

APTL-08



1 Meter Length OR (As Per Requirement)

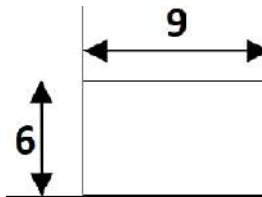
Material	Brass
Screw Material	M.S / S.S



Terminals & Links

GROUP INDIA
A MANUFACTURER

APTL-09



1 Meter Length OR (As Per Requirement)

Material	Brass
Screw Material	M.S / S.S

APTL-10



2 Way

4 Way

6 Way

8 Way

10 Way

12 Way

SPN (SINGLE PHASE)

Ampere 100 - 125

Material	ABS-FR & Cu 99.9%
Finish	Tin Coated



Terminals & Links

GROUP INDIA
A MANUFACTURER

APTL-11

3 - PHASE

2 Way
4 Way
6 Way
8 Way
12 Way
16 Way
18 Way



Ampere	125-250
--------	---------

Material	ABS-FR & Cu 99.9%
Finish	Tin Coated

APTL-12



2 Way
4 Way
6 Way
8 Way
10 Way
12 Way
13 Way
16 Way
18 Way

Material	ABS-FR & Cu 99.9%
Finish	Tin Coated

Ampere	125-250
--------	---------